

Made in Holland

PITT
COOKING

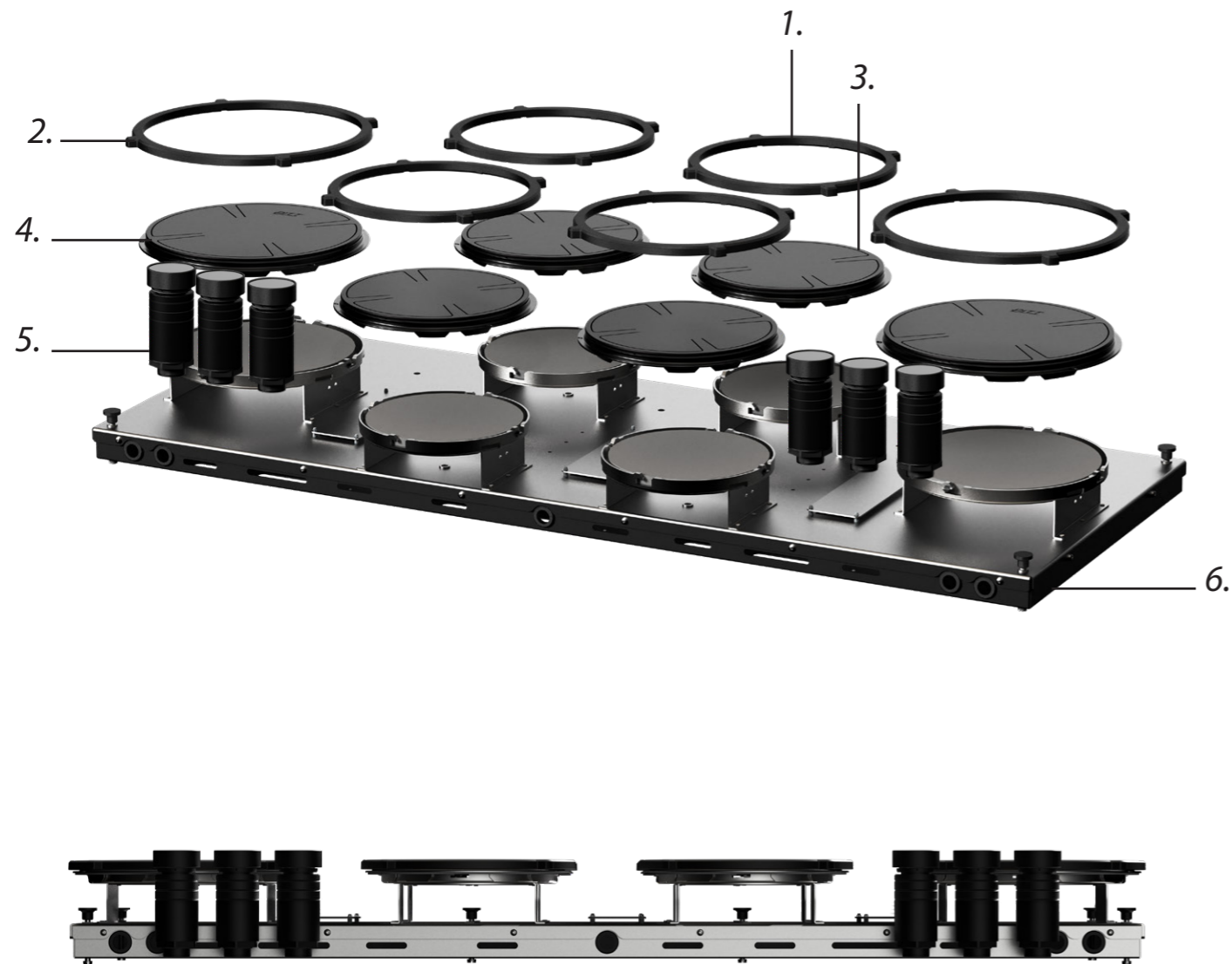


Induction

*Foessa-I
Top Side*

TS INDUCTION 2026-3.1

Exploded view



- 1. **Decorative ring small**
COATED ALUMINUM
- 2. **Decorative ring large**
COATED ALUMINUM
- 3. **Induction zone small**
COATED ALUMINUM/ CERAMIC GLASS

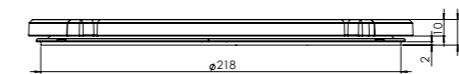
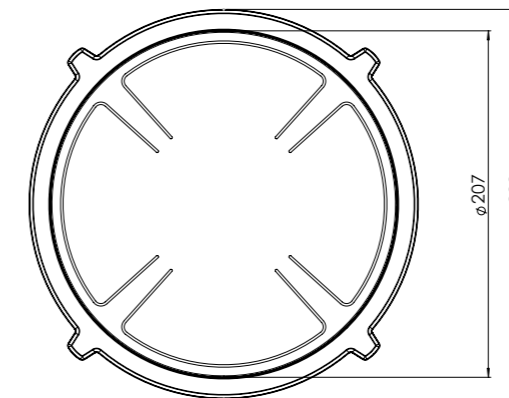
- 4. **Induction zone large**
COATED ALUMINUM/ CERAMIC GLASS
- 5. **Control knob**
ALUMINUM/GLASS
- 6. **Cassette**
ALUMINUM

Induction zones

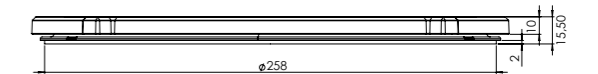
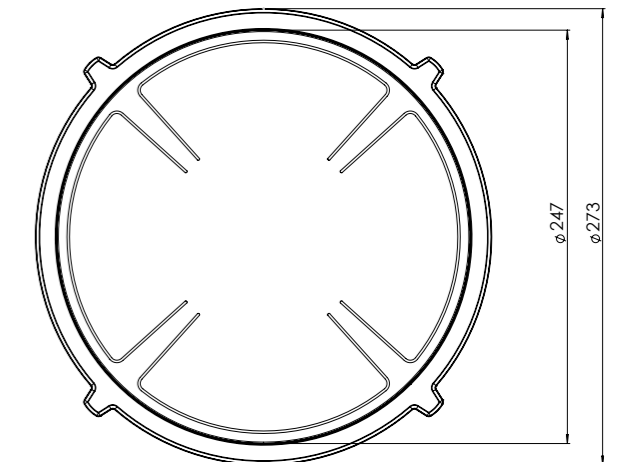
Small zone



Large zone



SMALL ZONE



LARGE ZONE

Control knob

3D-visualization of Top Side knob

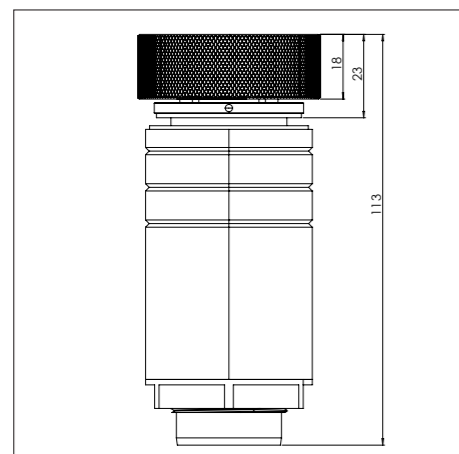


3D-visualization Front Side knob

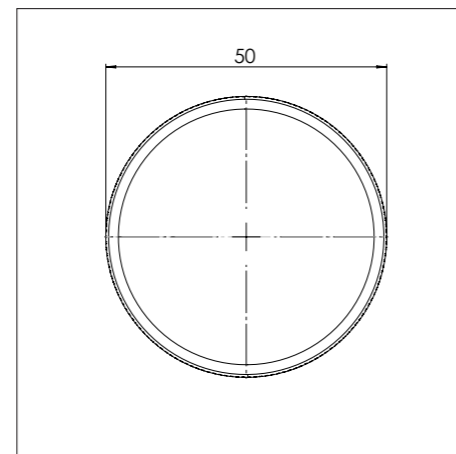


Dimensions control knob

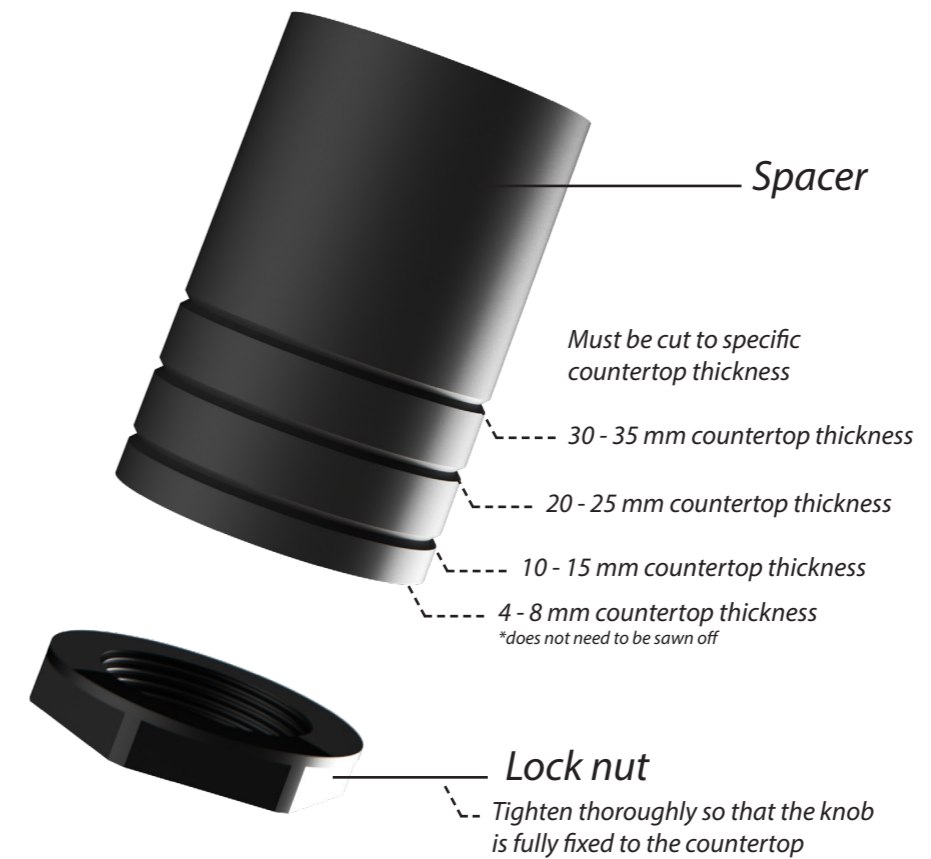
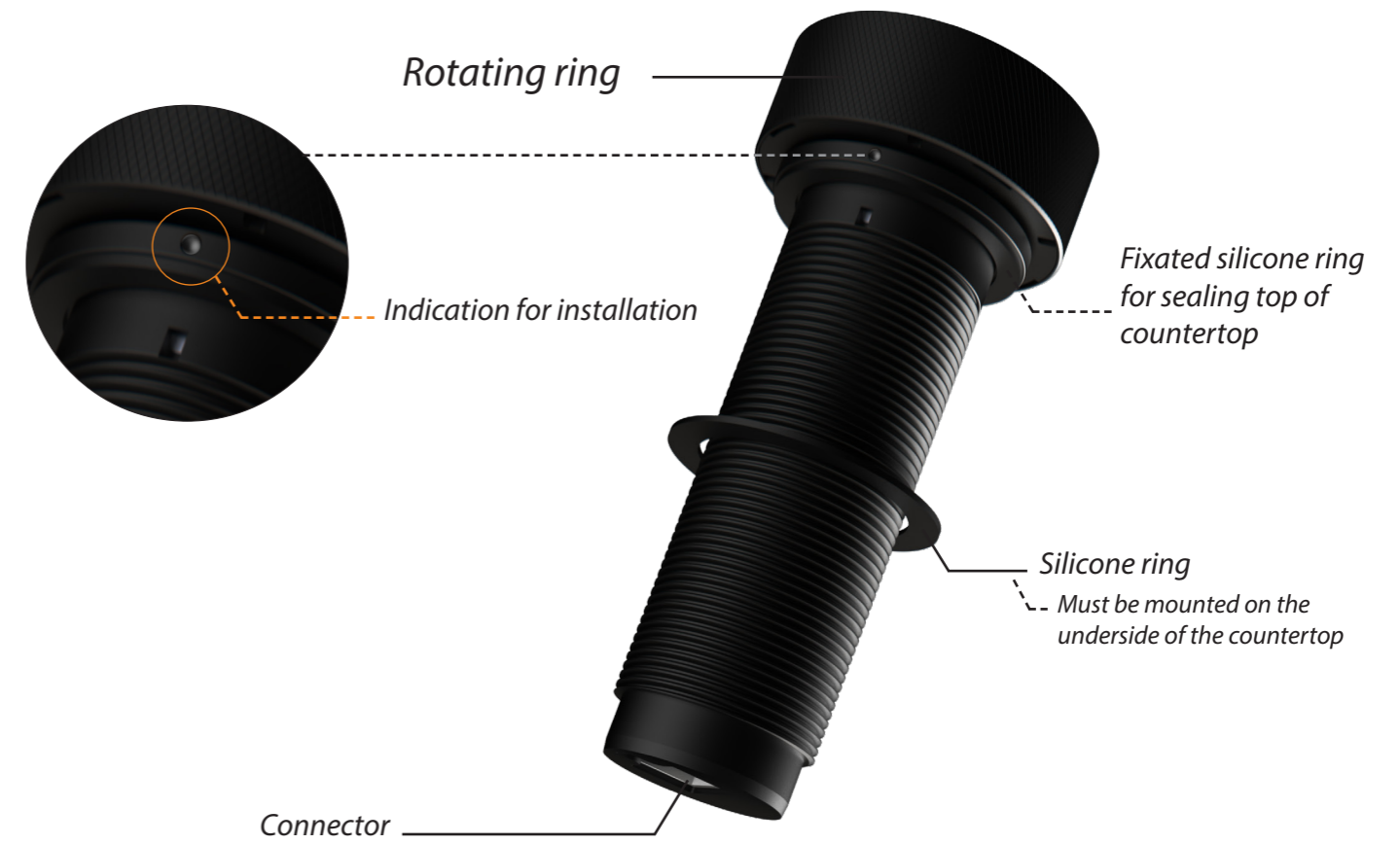
Front view



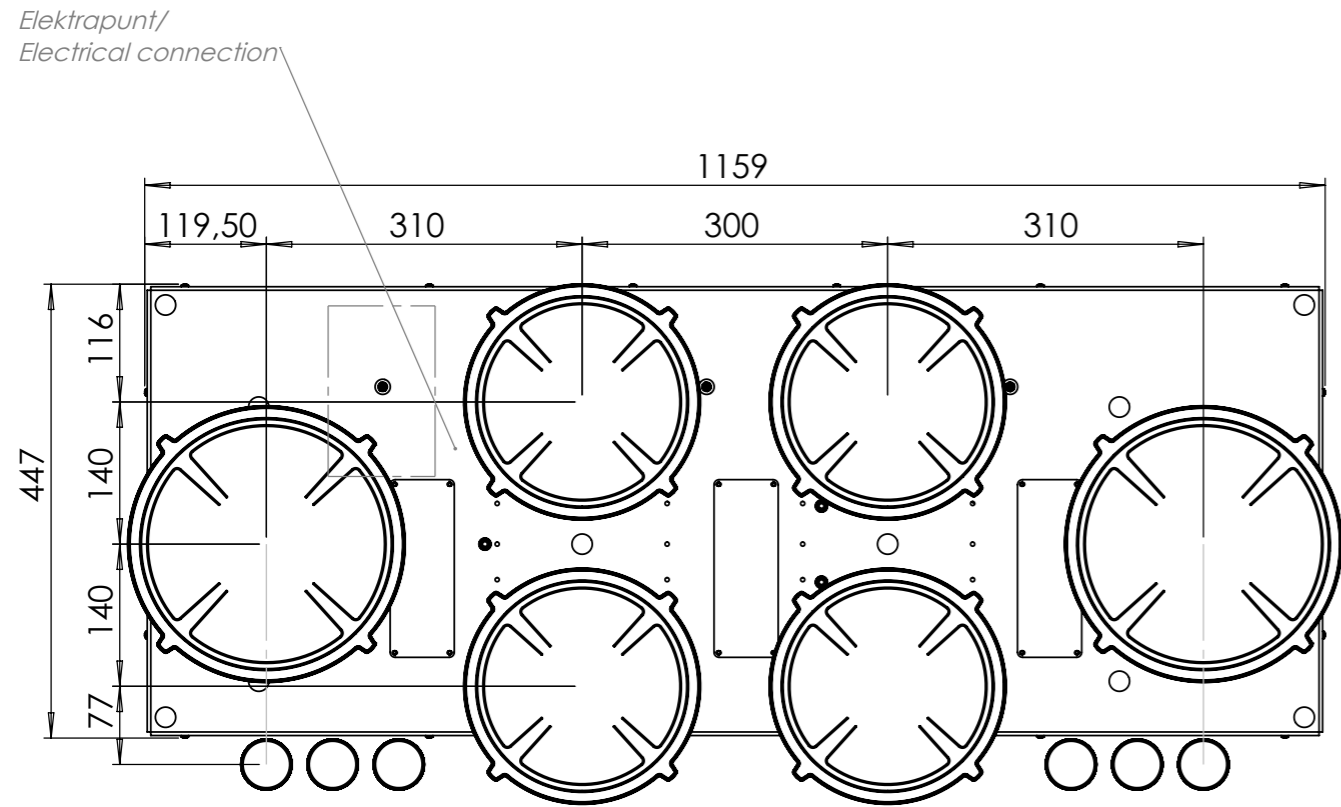
Top view



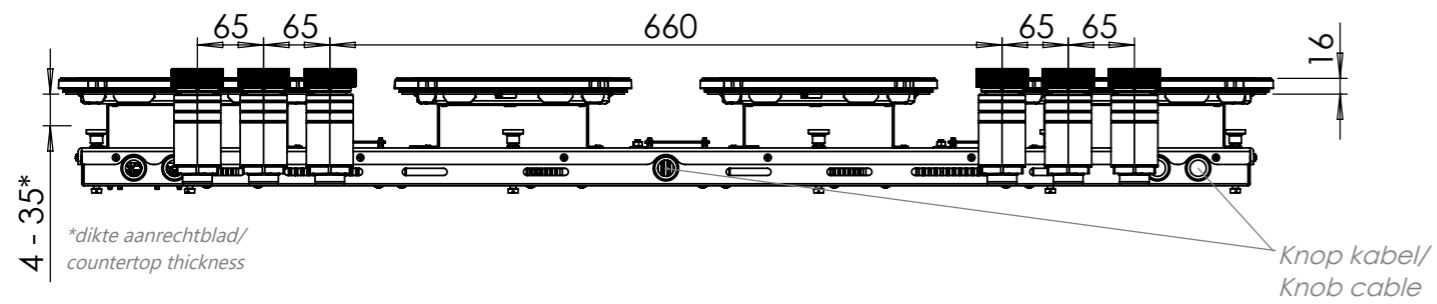
Control knob



Technical drawing

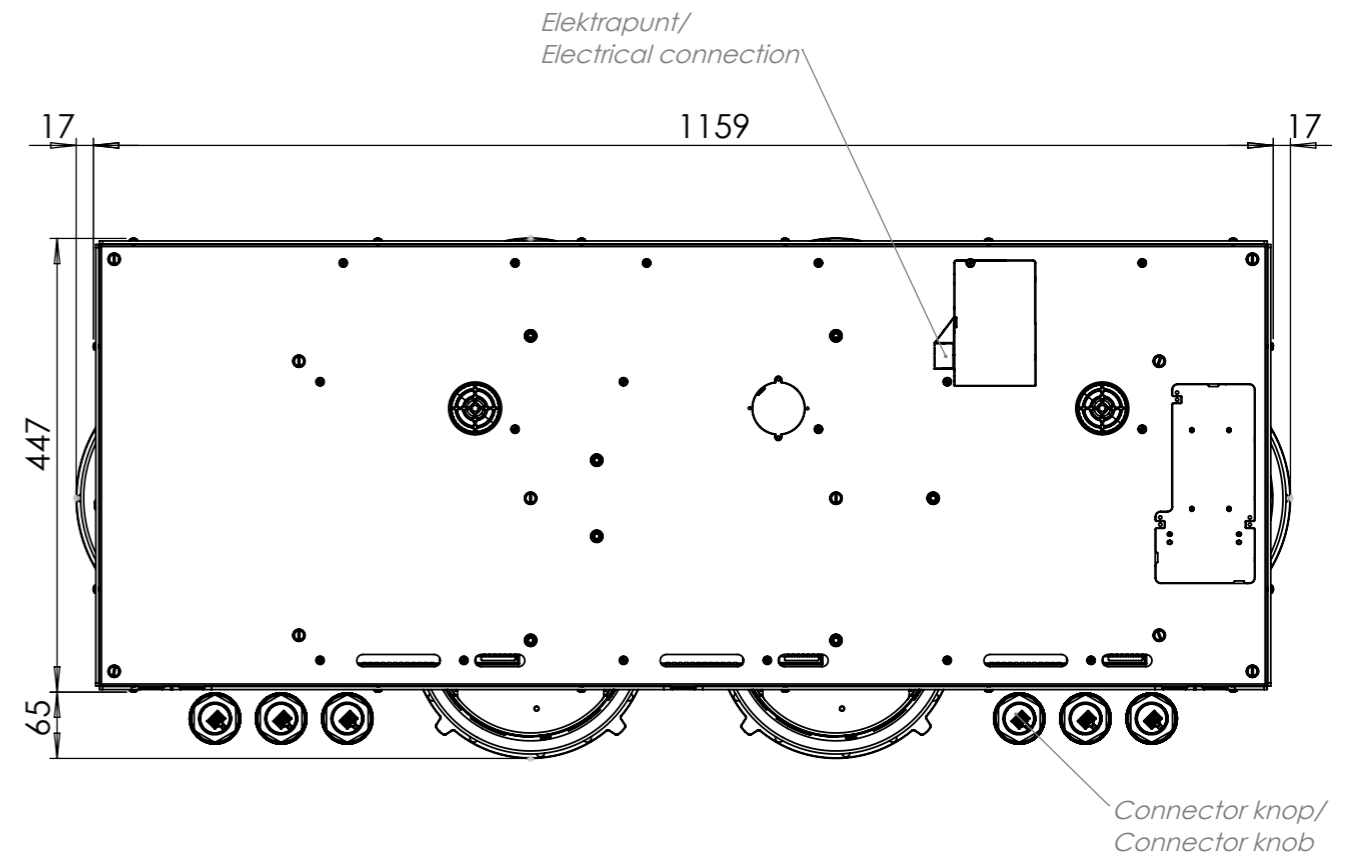


Bovenaanzicht / Top view

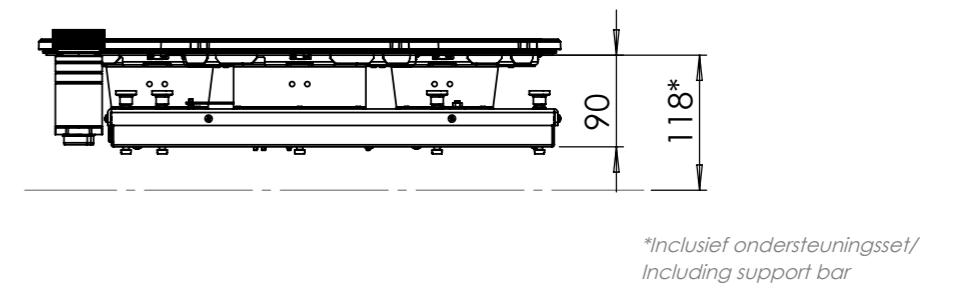


Vooraanzicht / Front view

Technical drawing

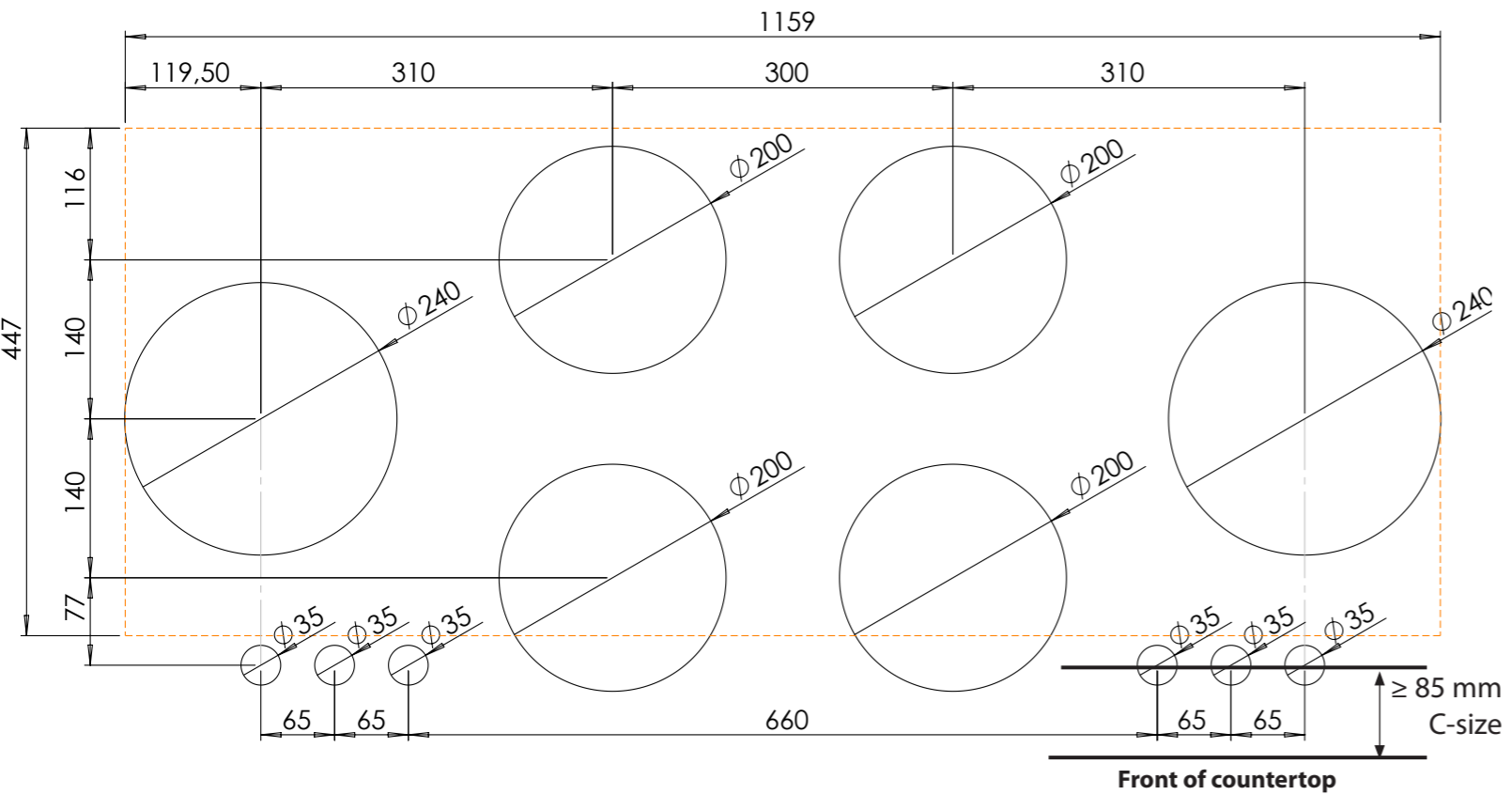


Onderaanzicht / Bottom view

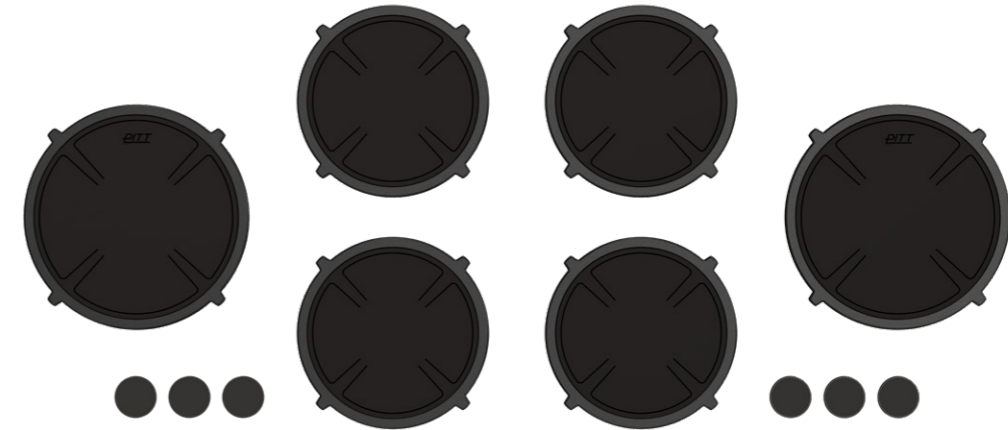


Zijaanzicht / Side view

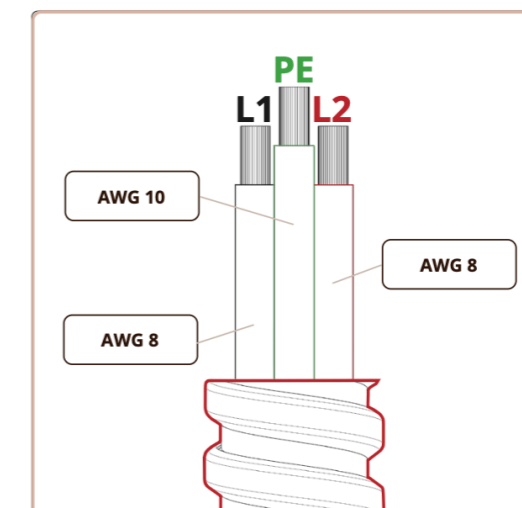
Hole pattern



Technical information



Model	Foessa-I Top Side
Nominal voltage	208 VAC / 240 VAC
Maximum power	9,984W (@208VAC) / 11,520W (@240VAC)
Unit dimensions (LxWxH)	17.60 x 45.63 x 3.54 inches 447 x 1159 x 90 mm
Total height (including support set)	4.65 inches 118 mm
Minimum cabinet width	47.24 inches 1200 mm
Minimum countertop depth	23.62 inches 600 mm
Countertop thickness	0.16-1.38 inches 4-35 mm
Type of cooking system	Induction
Model edition	Black





Installation and handling instructions



Installation manual induction



User manual induction

Made in Holland

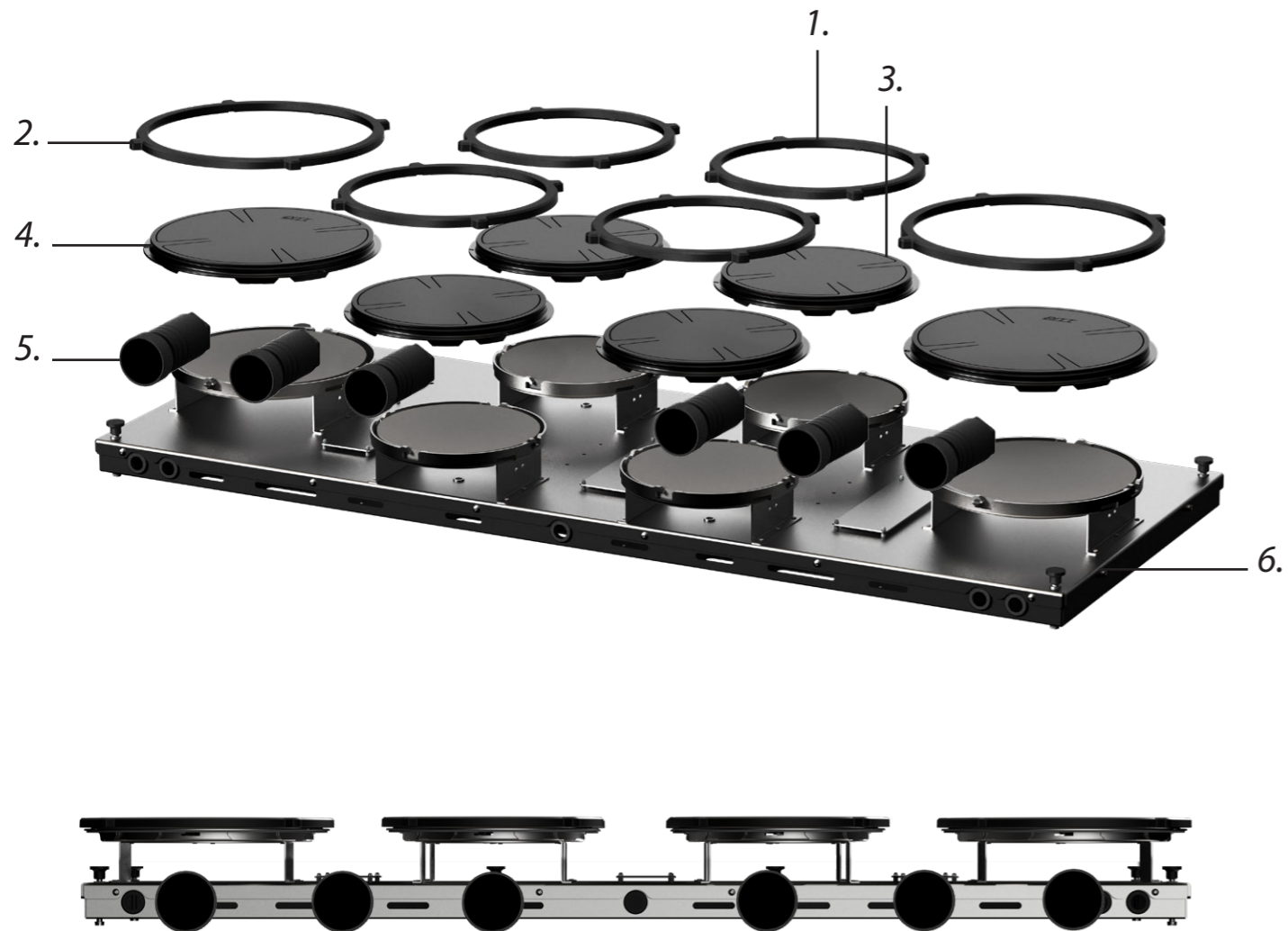
PITT
COOKING



Induction

Foessa-I
Front Side

Exploded view

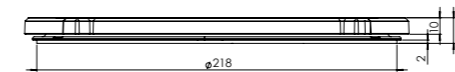
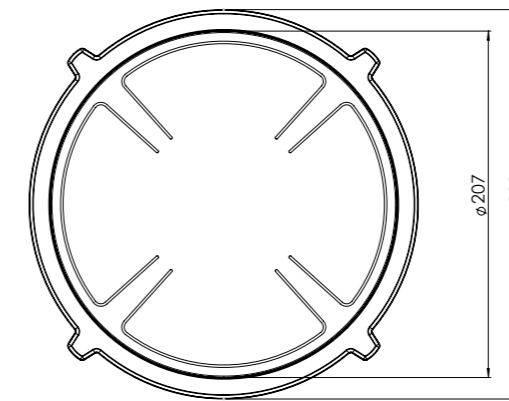


- 1. **Decorative ring small**
COATED ALUMINUM
- 2. **Decorative ring large**
COATED ALUMINUM
- 3. **Induction zone small**
COATED ALUMINUM/ CERAMIC GLASS

- 4. **Induction zone large**
COATED ALUMINUM/ CERAMIC GLASS
- 5. **Control knob**
ALUMINUM/GLASS
- 6. **Cassette**
ALUMINUM

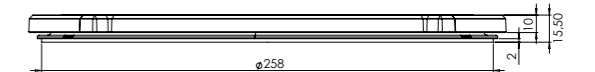
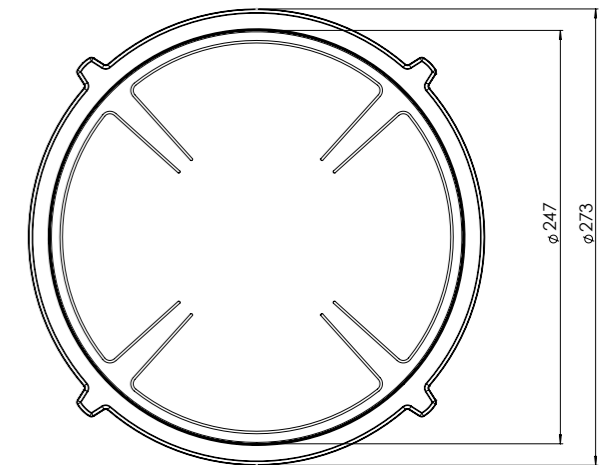
Induction zones

Small zone



SMALL ZONE

Large zone



LARGE ZONE

Control knob

3D-visualization of Top Side knob

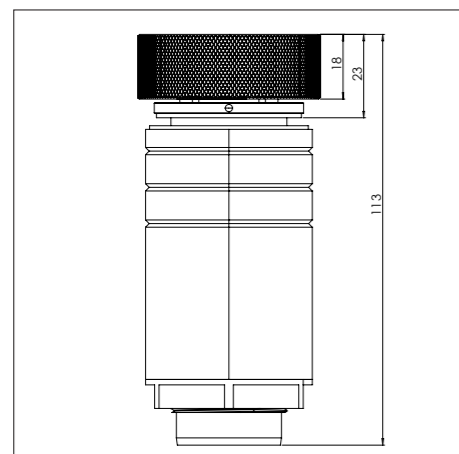


3D-visualization Front Side knob

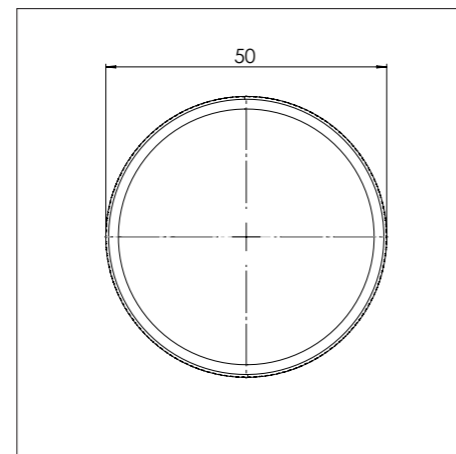


Dimensions control knob

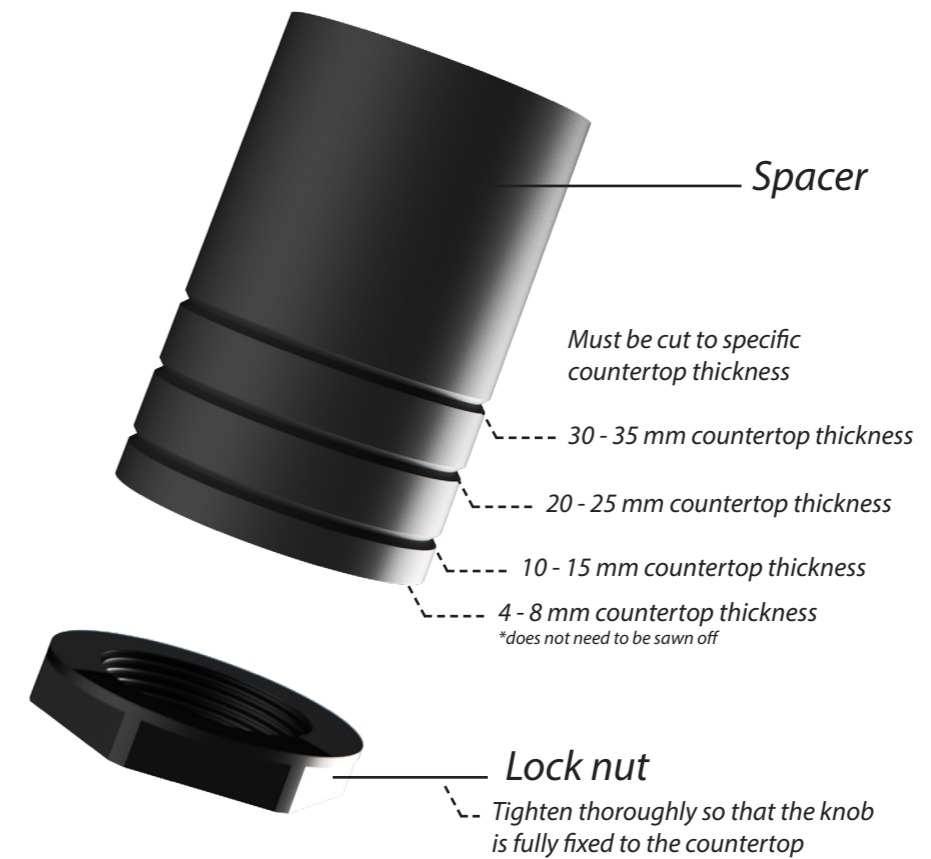
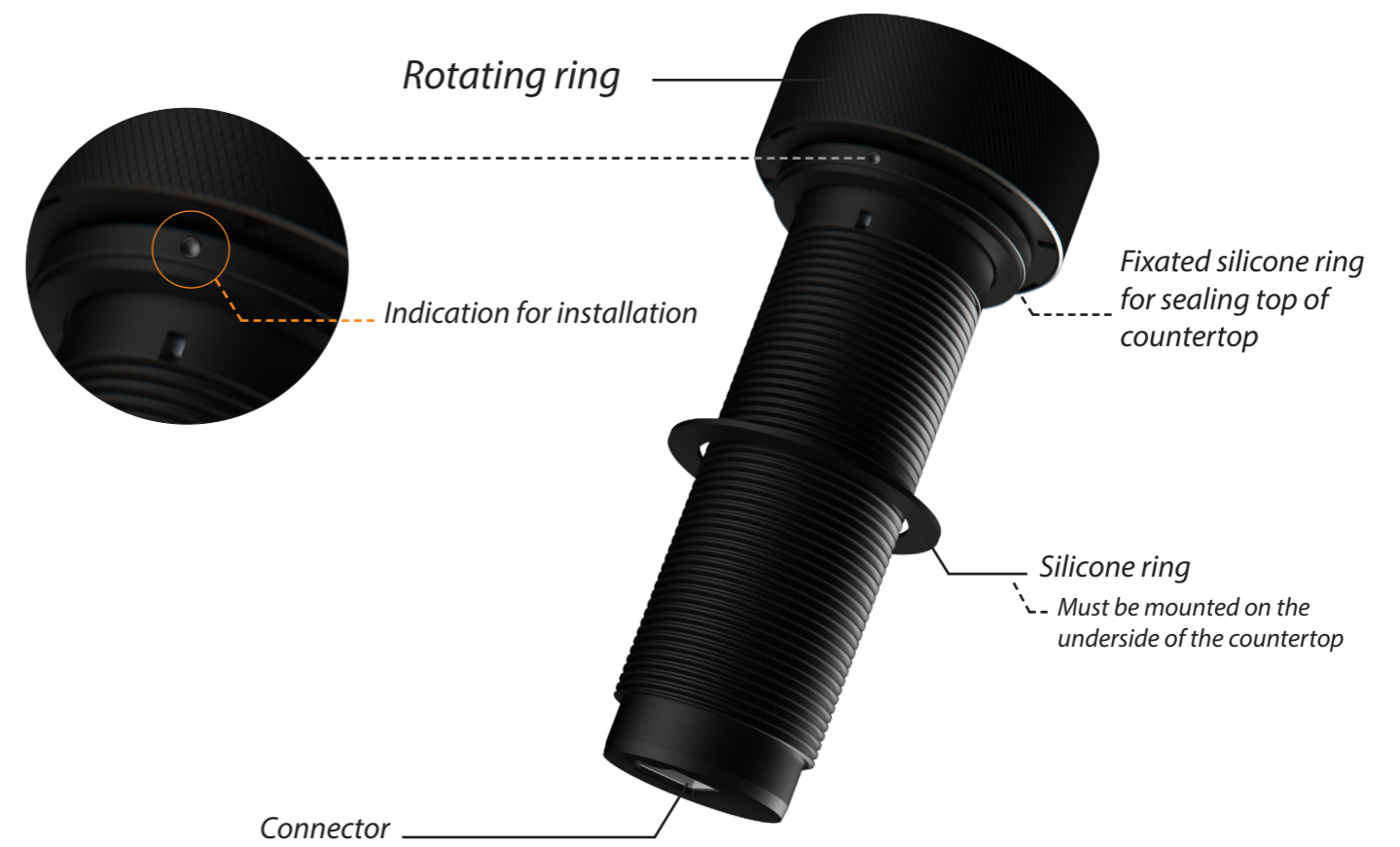
Front view



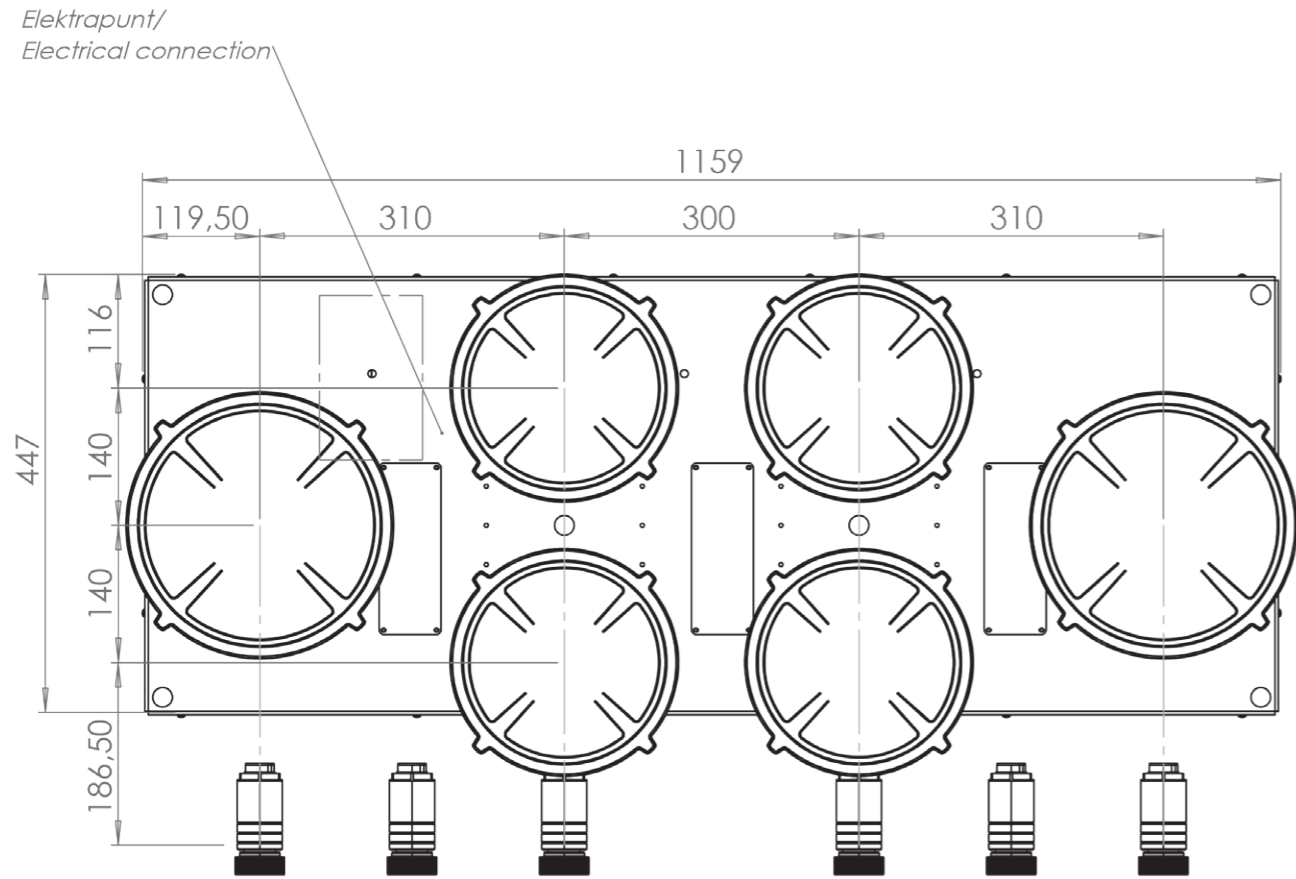
Top view



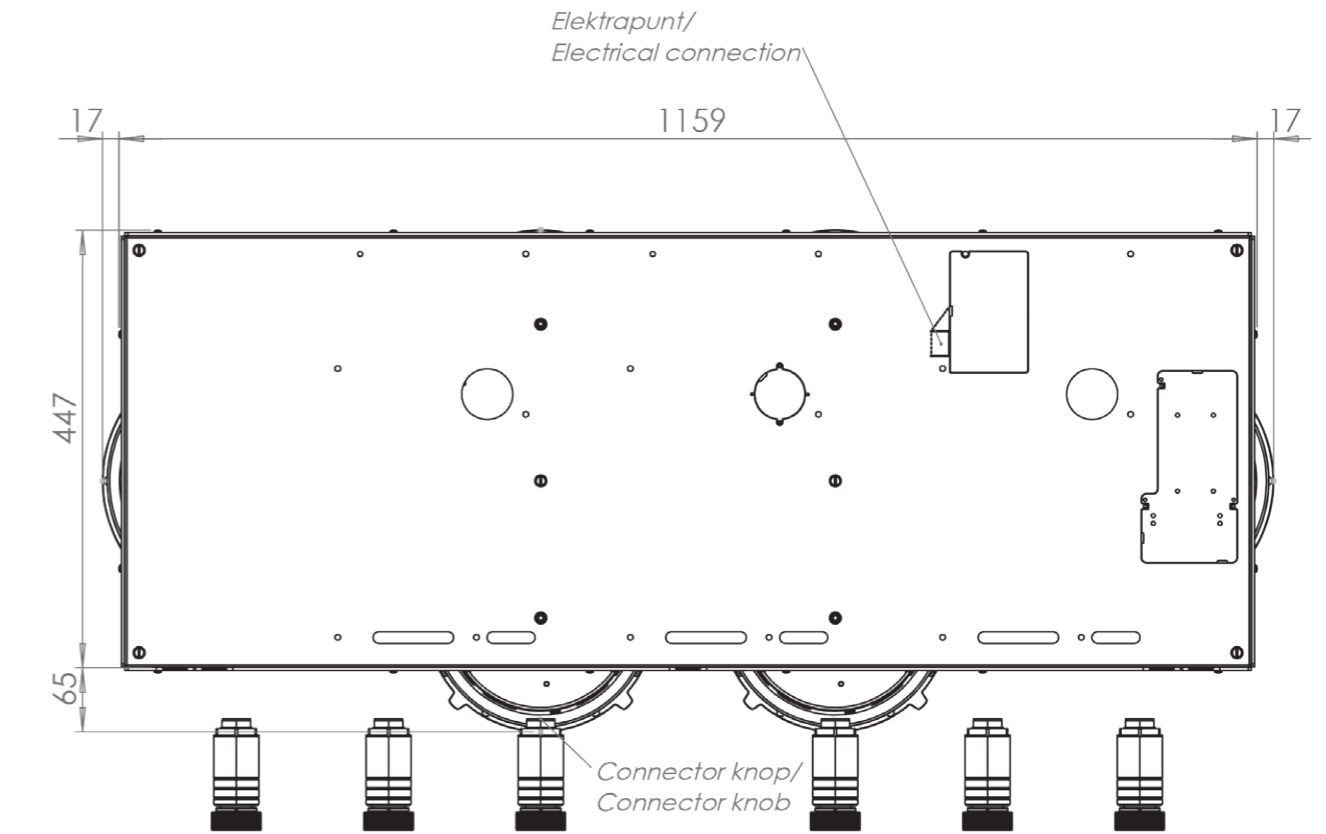
Control knob



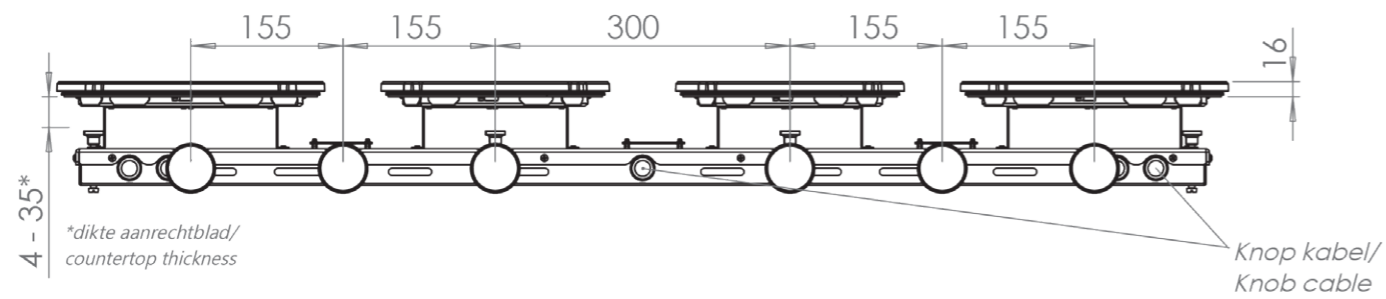
Technical drawing



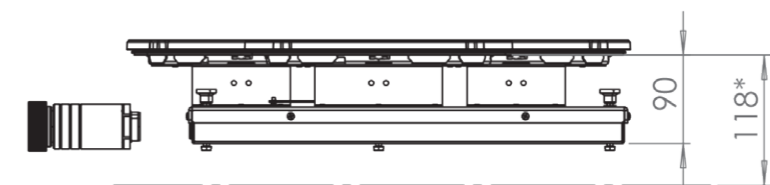
Bovenaanzicht / Top view



Onderaanzicht / Bottom view

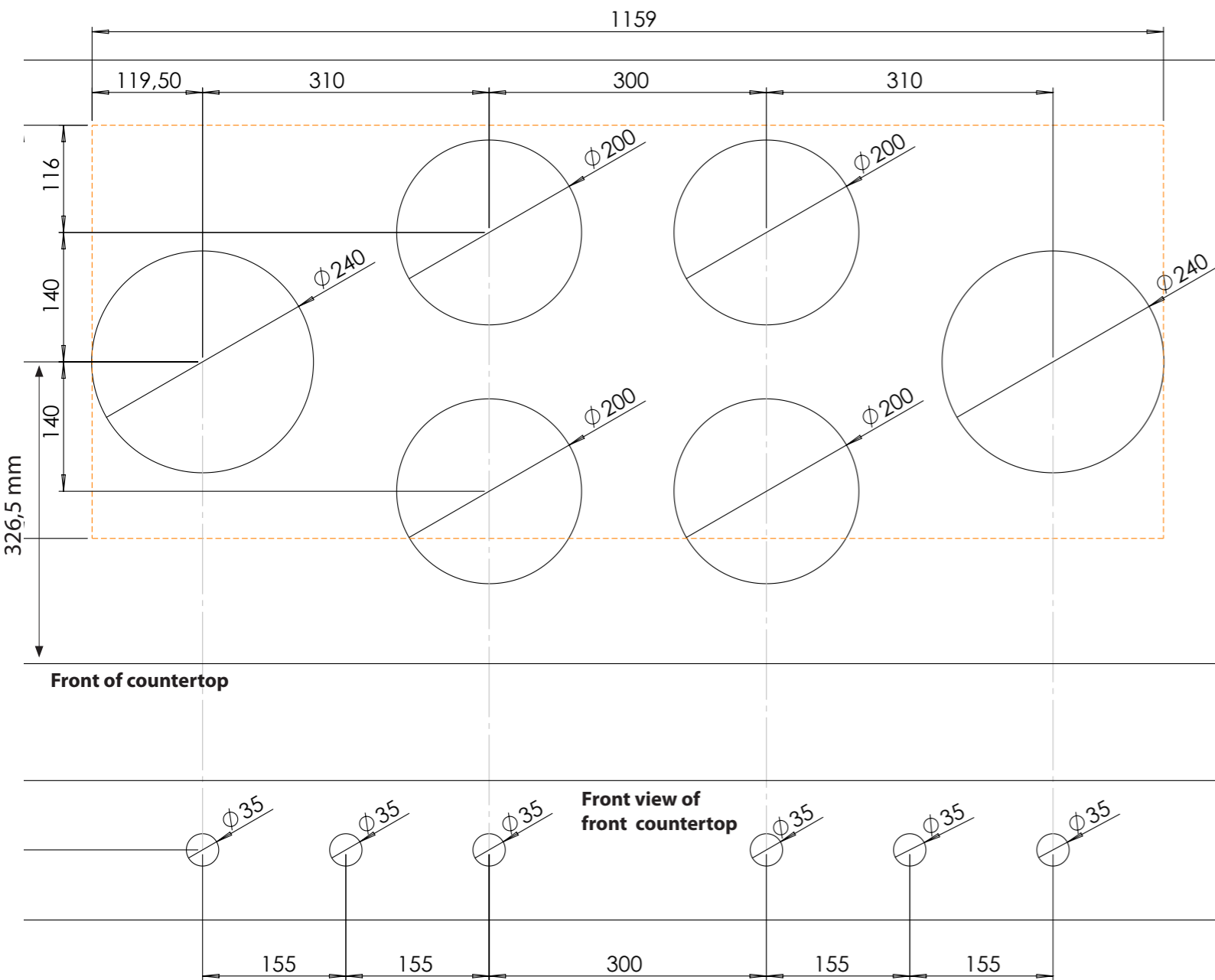


Vooraanzicht / Front view

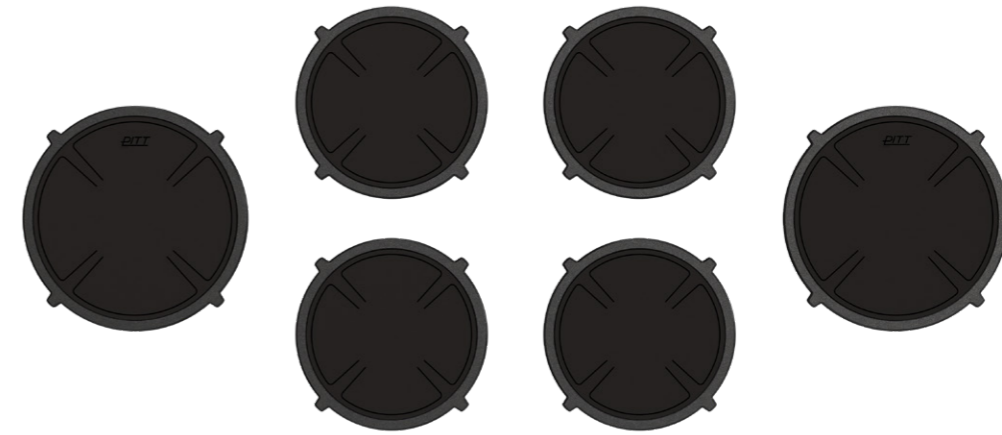


Zijaanzicht / Side view

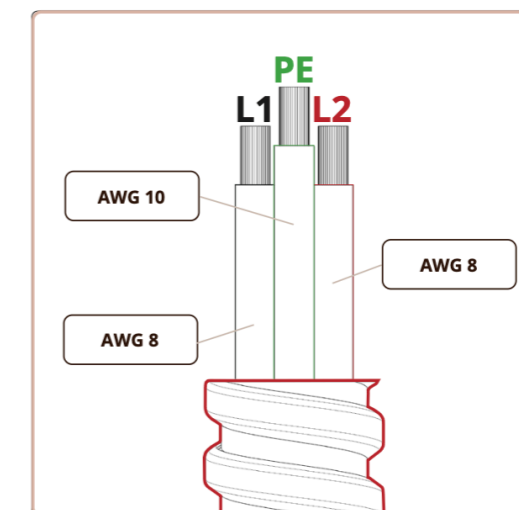
Hole pattern



Technical information



Model	Foessa-I Front Side
Nominal voltage	208 VAC / 240 VAC
Maximum power	9,984W (@208VAC) / 11,520W (@240VAC)
Unit dimensions (LxWxH)	17.60 x 45.63 x 3.54 inches 447 x 1159 x 90 mm
Total height (including support set)	4.65 inches 118 mm
Minimum cabinet width	47.24 inches 1200 mm
Minimum countertop depth	25.59 inches 650 mm
Countertop thickness	0.16-1.38 inches 4-35 mm
Type of cooking system	Induction
Model edition	Black





Installation and handling instructions



Installation manual induction



User manual induction