

*Made in Holland*

**PITT**  
COOKING

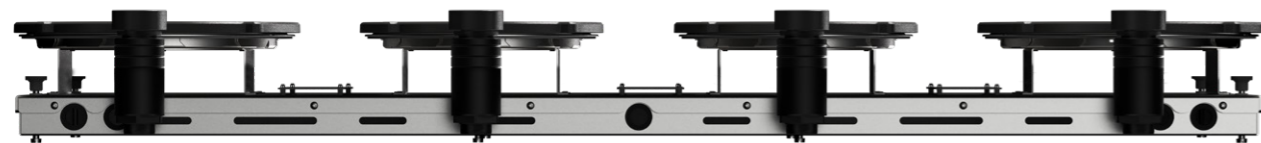


## ***Induction***

*Danau-I  
Top Side*

TS INDUCTION 2026-3.1

## Exploded view



- 1. **Decorative ring small**  
COATED ALUMINUM
- 2. **Decorative ring large**  
COATED ALUMINUM
- 3. **Induction zone small**  
COATED ALUMINUM/ CERAMIC GLASS

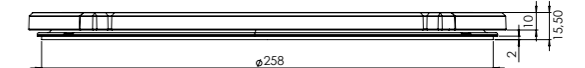
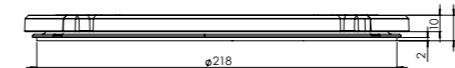
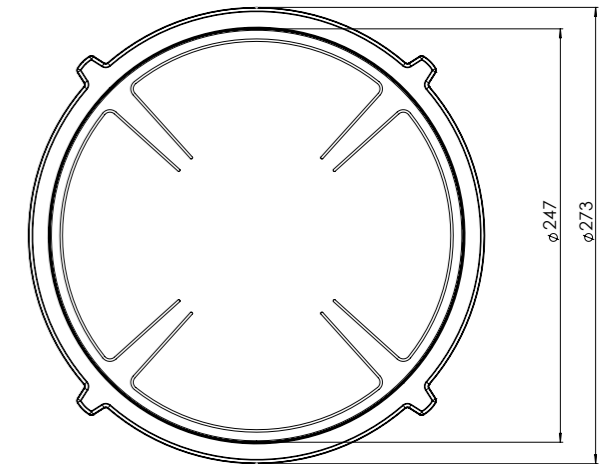
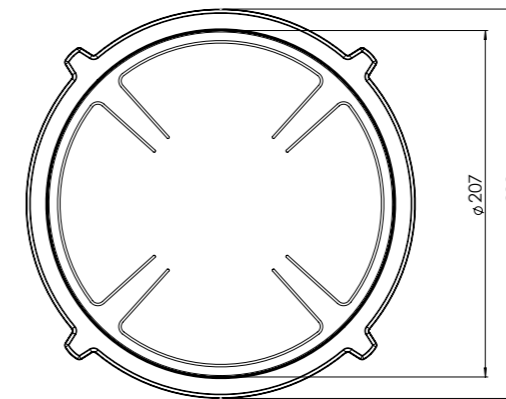
- 4. **Induction zone large**  
COATED ALUMINUM/ CERAMIC GLASS
- 5. **Control knob**  
ALUMINUM/GLASS
- 6. **Cassette**  
ALUMINUM

## Induction zones

Small zone



Large zone



SMALL ZONE

LARGE ZONE

## Control knob

3D-visualization of Top Side knob

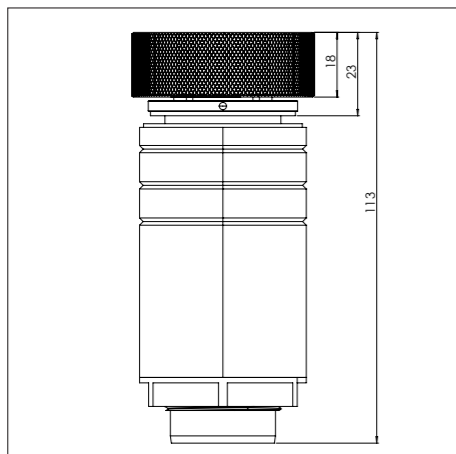


3D-visualization Front Side knob

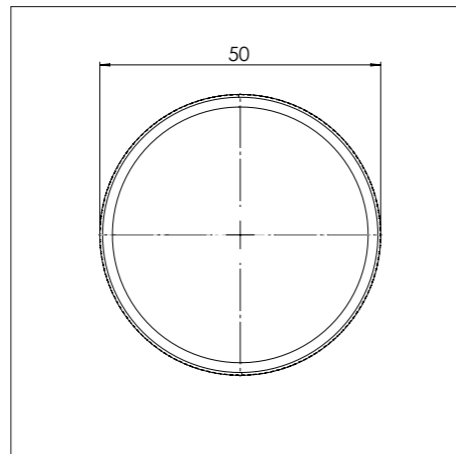


## Dimensions control knob

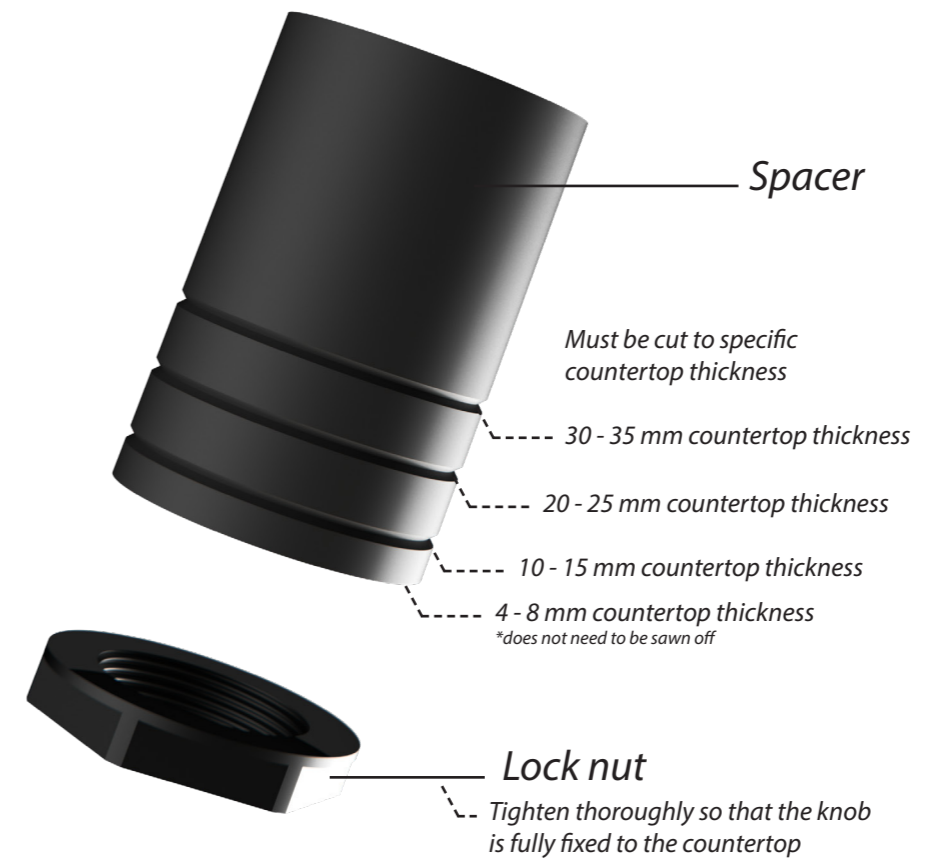
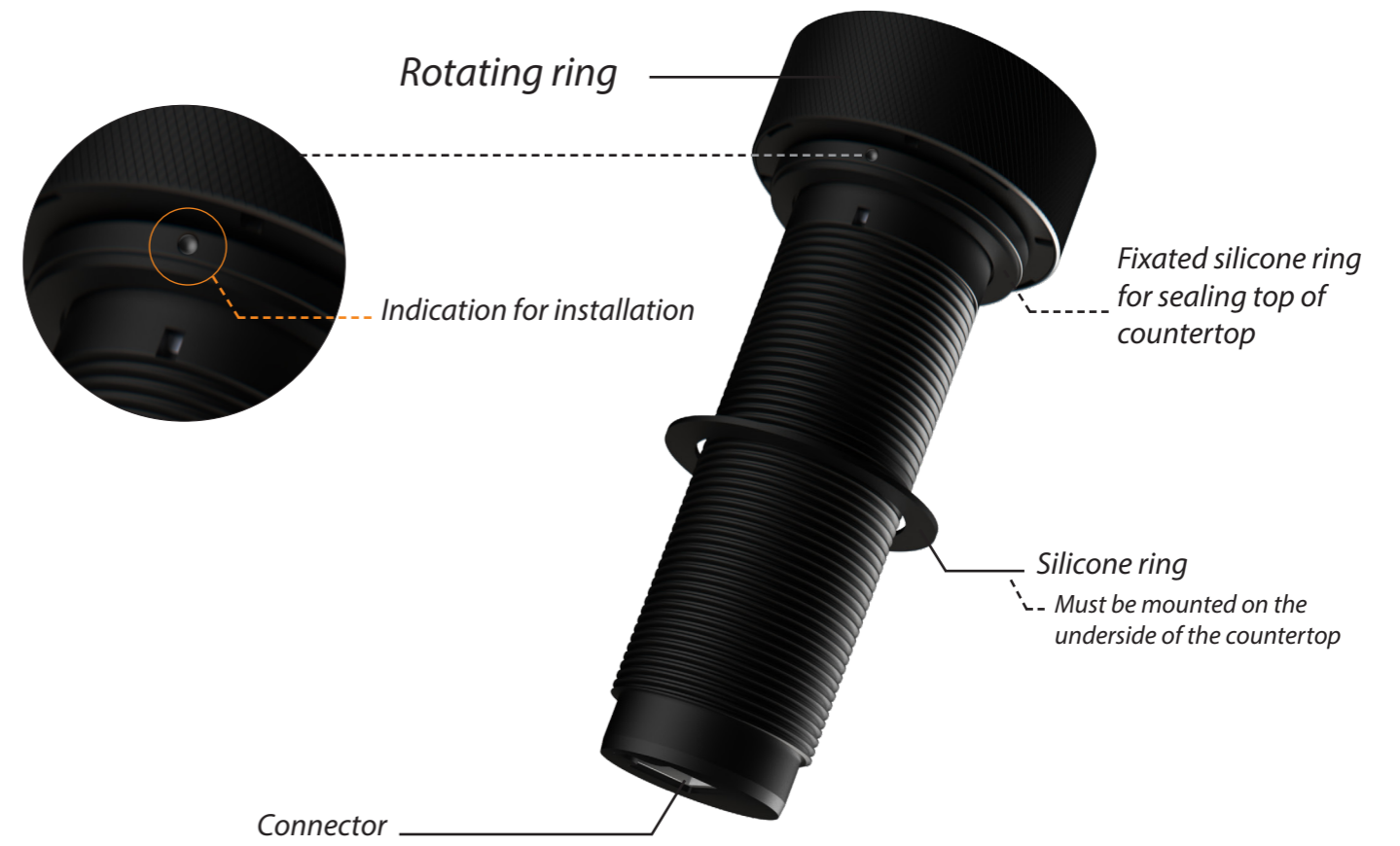
Front view



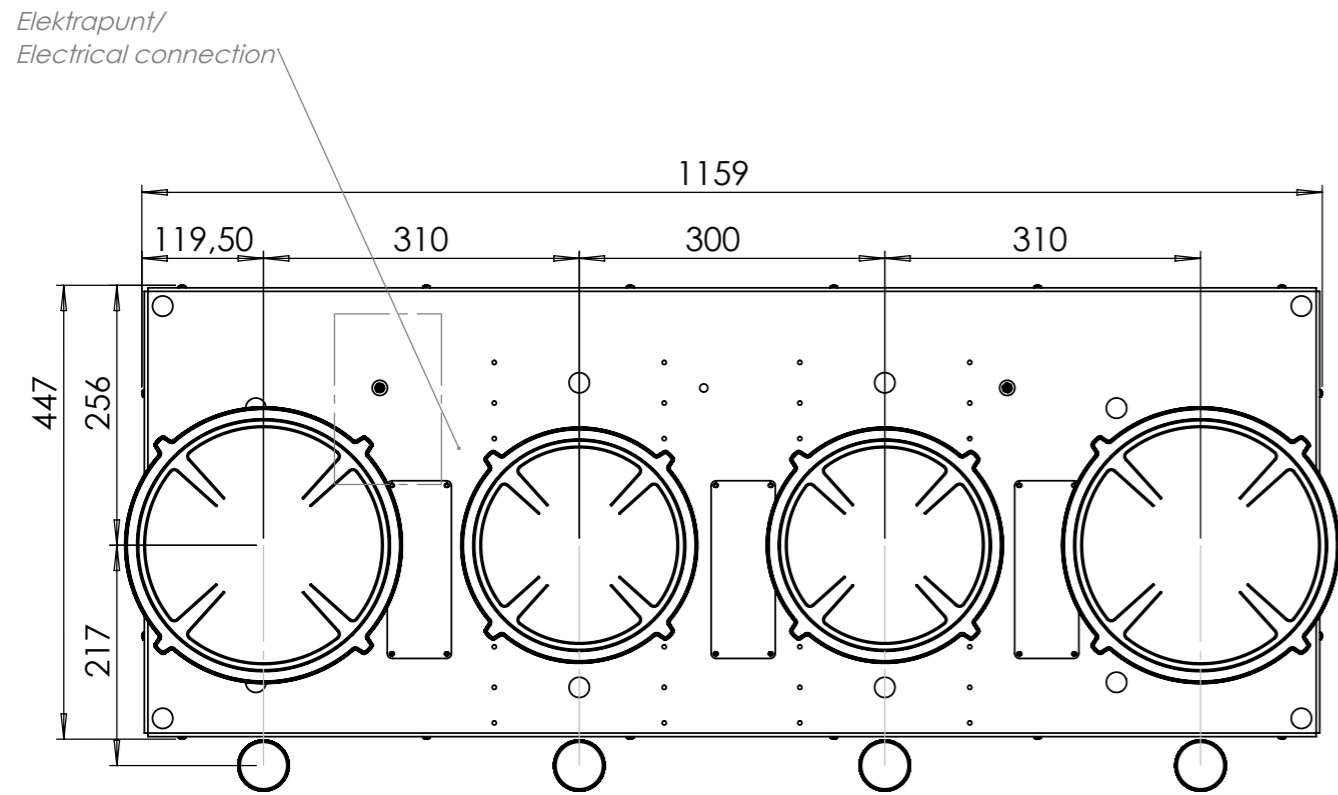
Top view



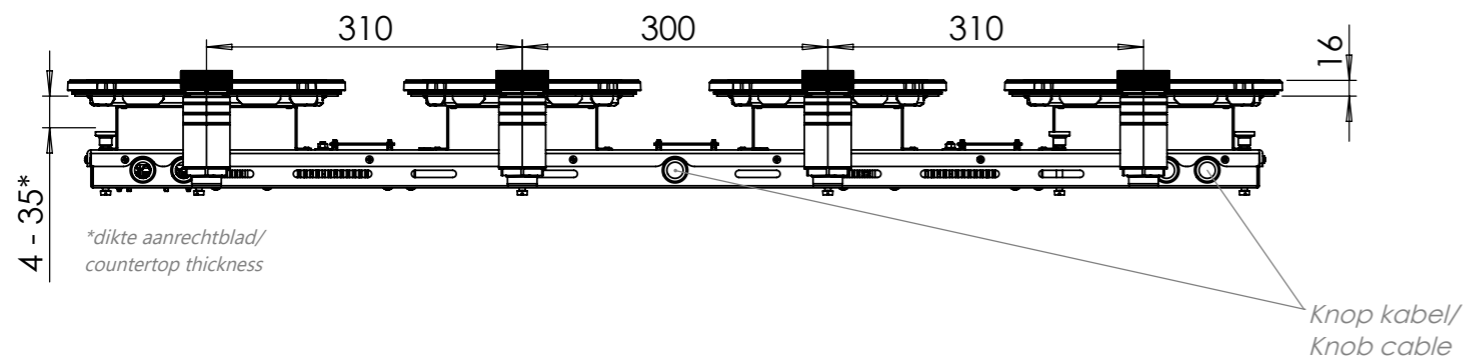
## Control knob



**Technical drawing**

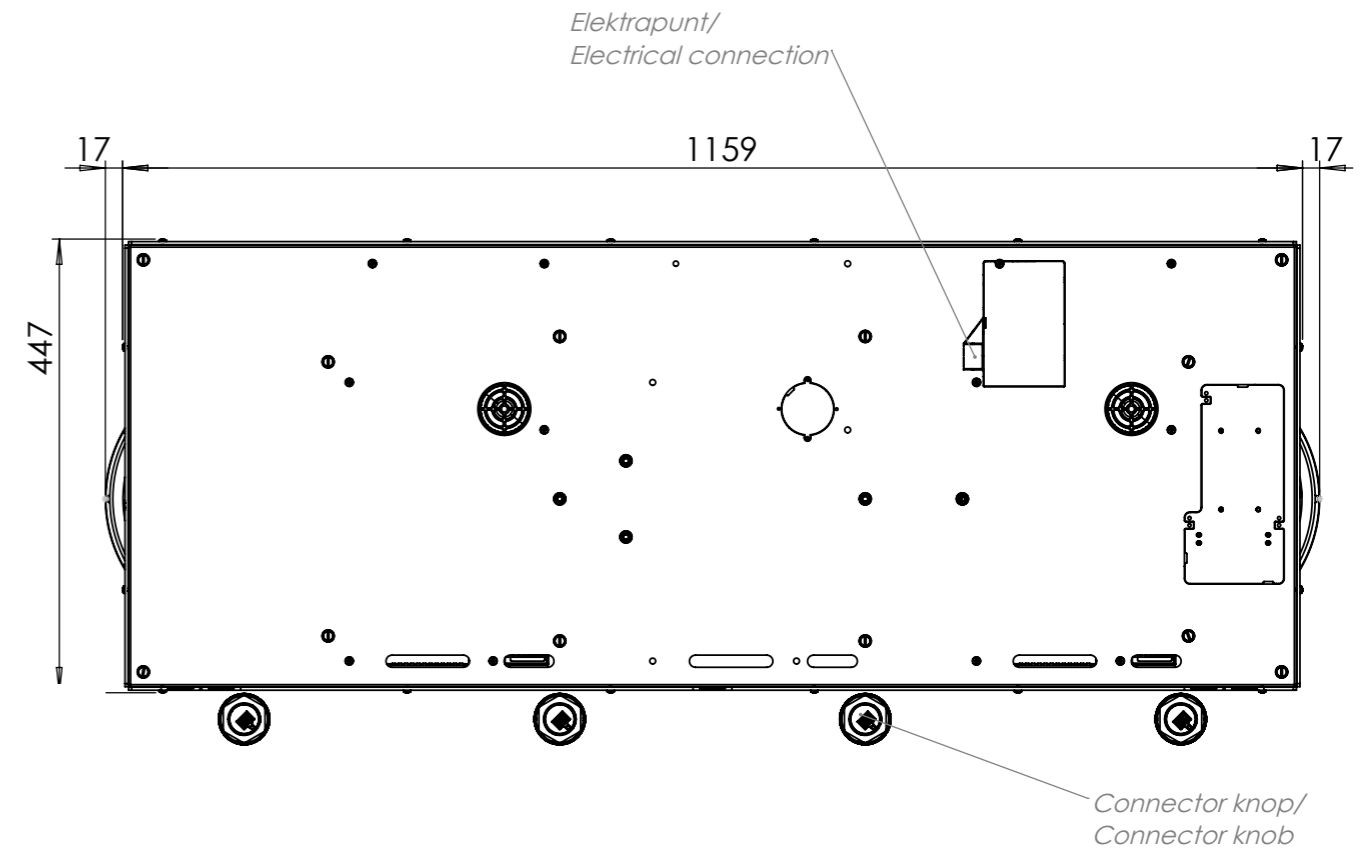


**Bovenaanzicht / Top view**

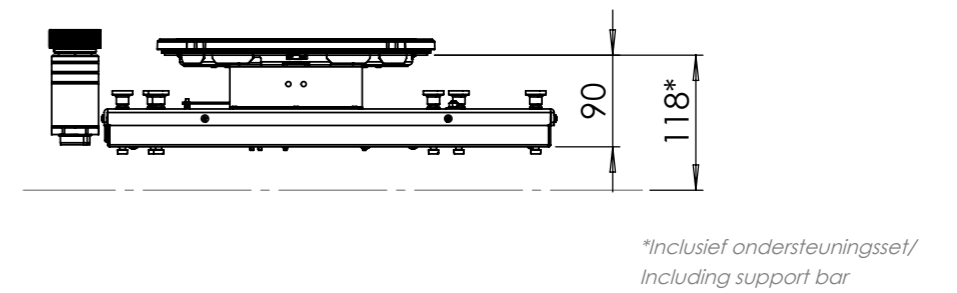


**Vooraanzicht / Front view**

**Technical drawing**



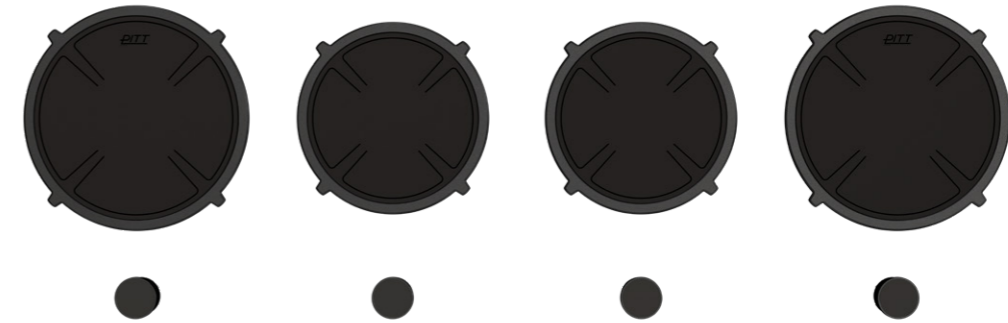
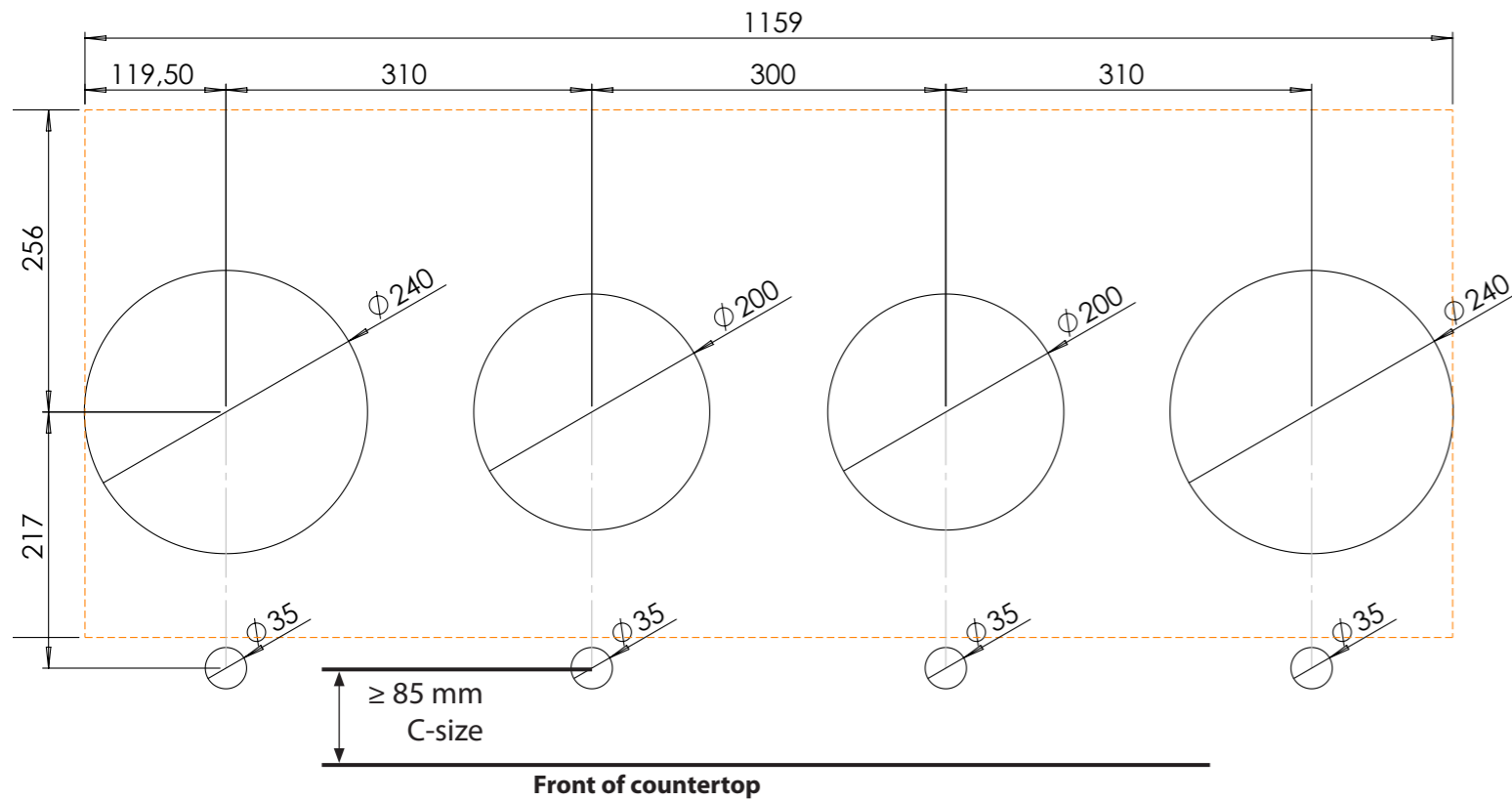
**Onderaanzicht / Bottom view**



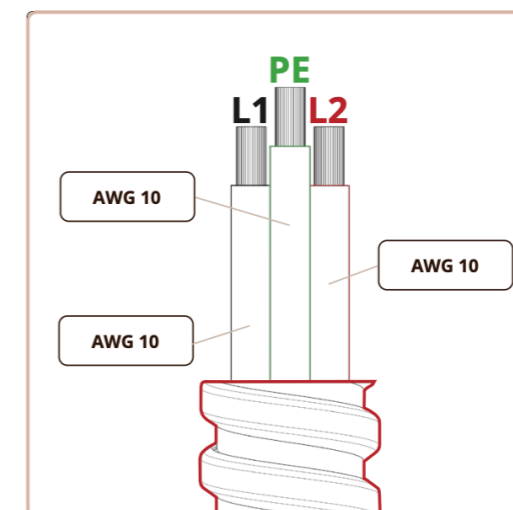
**Zijaanzicht / Side view**

## Hole pattern

## Technical information



Model	Danau-I Top Side
Nominal voltage	208 VAC / 240 VAC
Maximum power	6,656W (@208VAC) / 7,680W (@240VAC)
Unit dimensions (LxWxH)	17.60 × 45.63 × 3.54 inches 447 x 1159 x 90 mm
Total height (including support set)	4.65 inches 118 mm
Minimum cabinet width	47.24 inches 1200 mm
Minimum countertop depth	23.62 inches 600 mm
Countertop thickness	0.16-1.38 inches 4-35 mm
Type of cooking system	Induction
Model edition	Black





Installation and handling instructions



Installation manual induction



User manual induction

*Made in Holland*

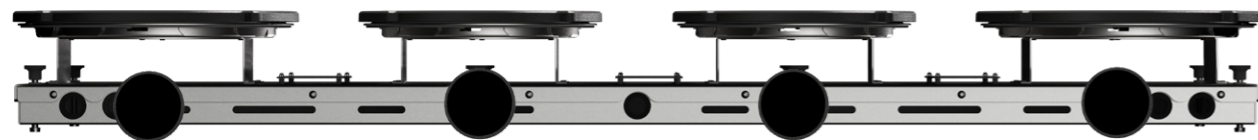
**PITT**  
COOKING



***Induction***

*Danau-1*  
*Front Side*

## Exploded view

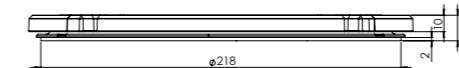
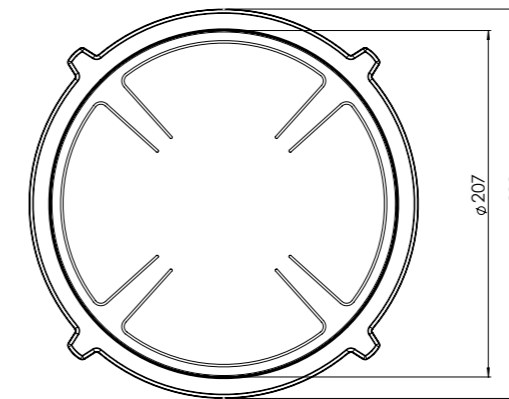


- 1. **Decorative ring small**  
COATED ALUMINUM
- 2. **Decorative ring large**  
COATED ALUMINUM
- 3. **Induction zone small**  
COATED ALUMINUM/ CERAMIC GLASS

- 4. **Induction zone large**  
COATED ALUMINUM/ CERAMIC GLASS
- 5. **Control knob**  
ALUMINUM/GLASS
- 6. **Cassette**  
ALUMINUM

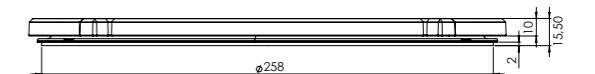
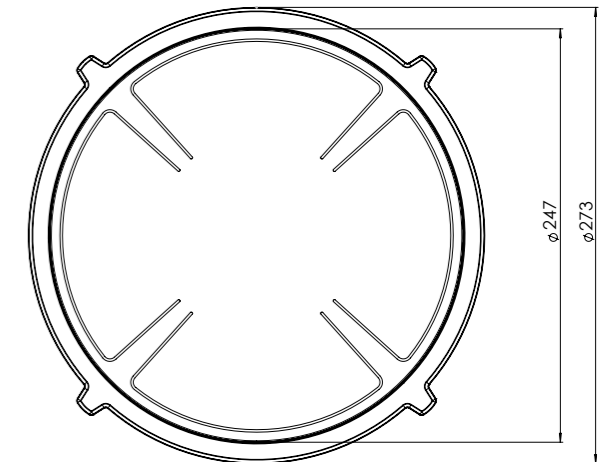
## Induction zones

Small zone



SMALL ZONE

Large zone



LARGE ZONE

## Control knob

3D-visualization of Top Side knob

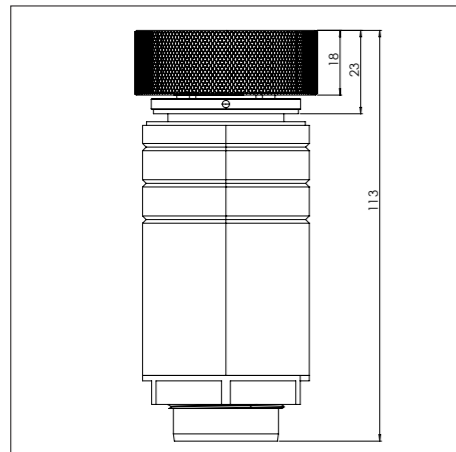


3D-visualization Front Side knob

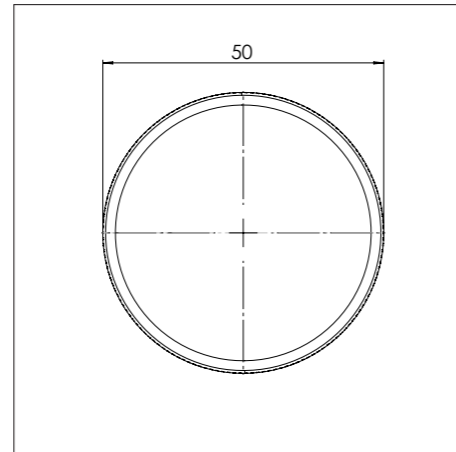


## Dimensions control knob

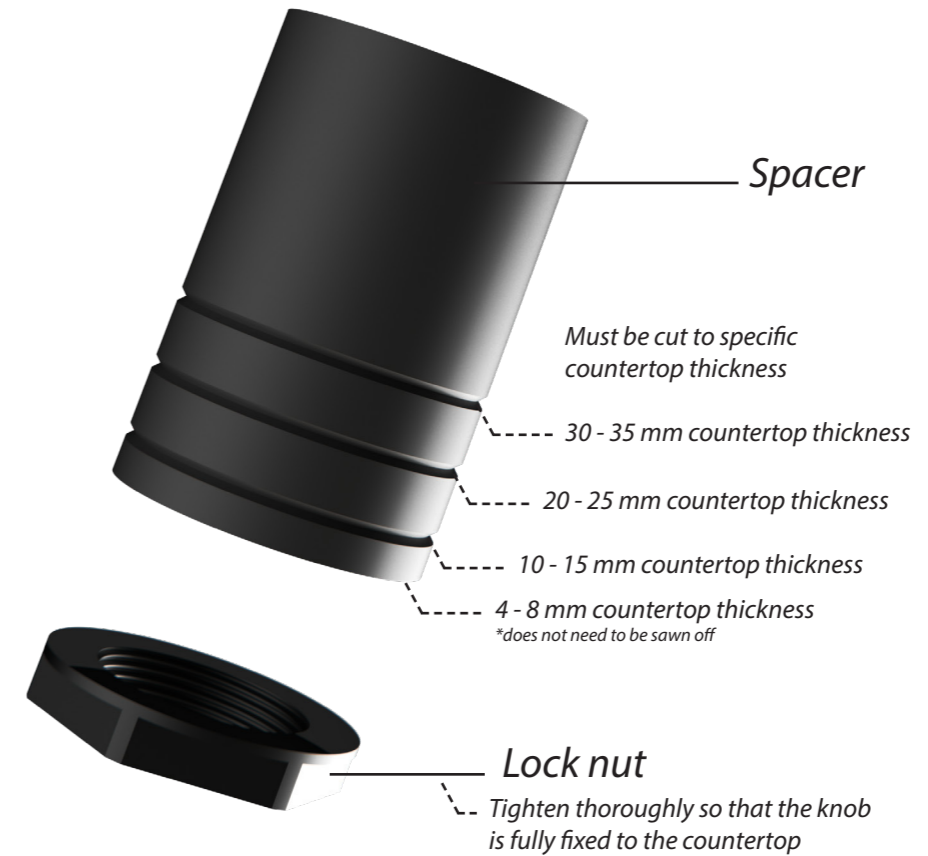
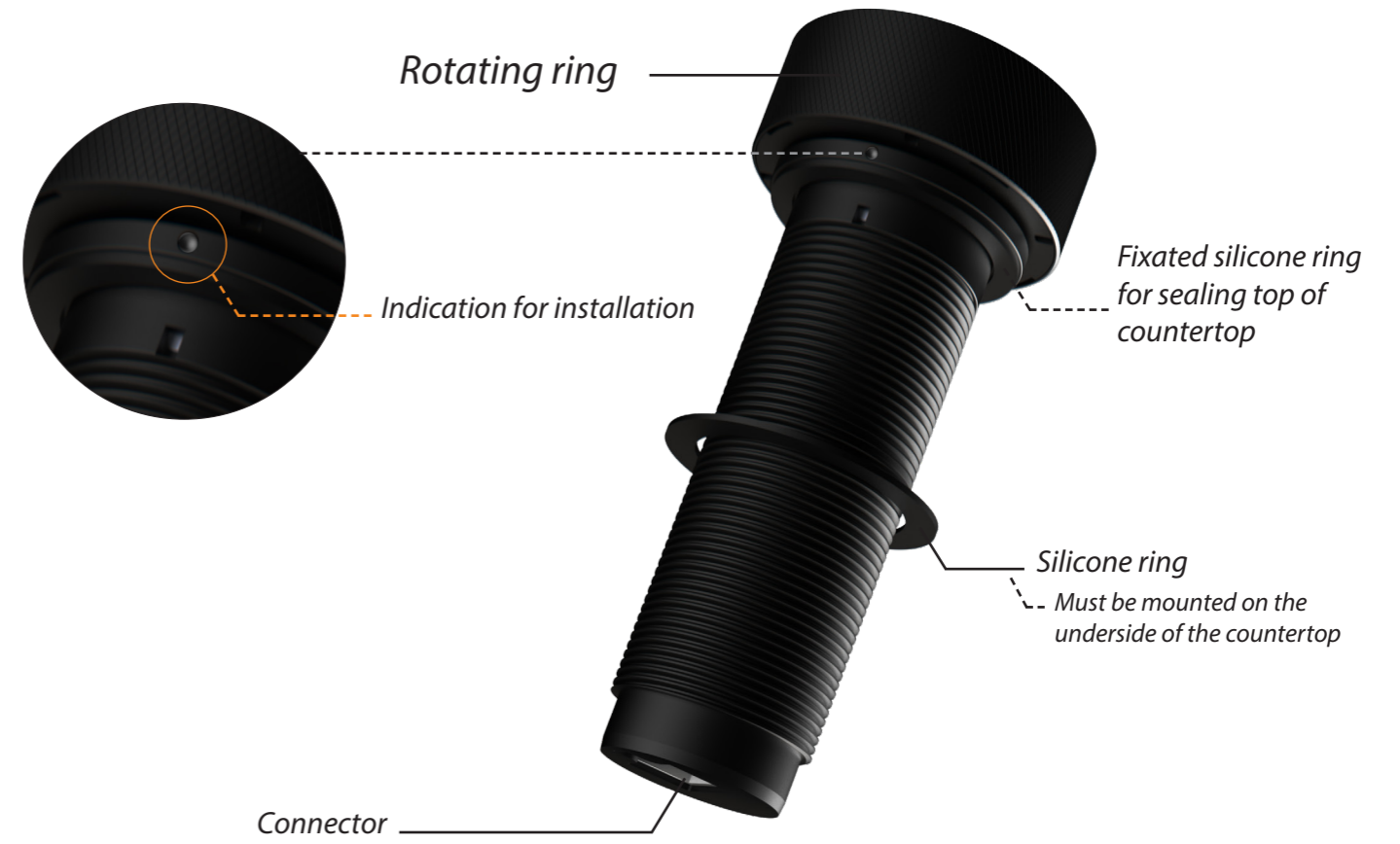
Front view



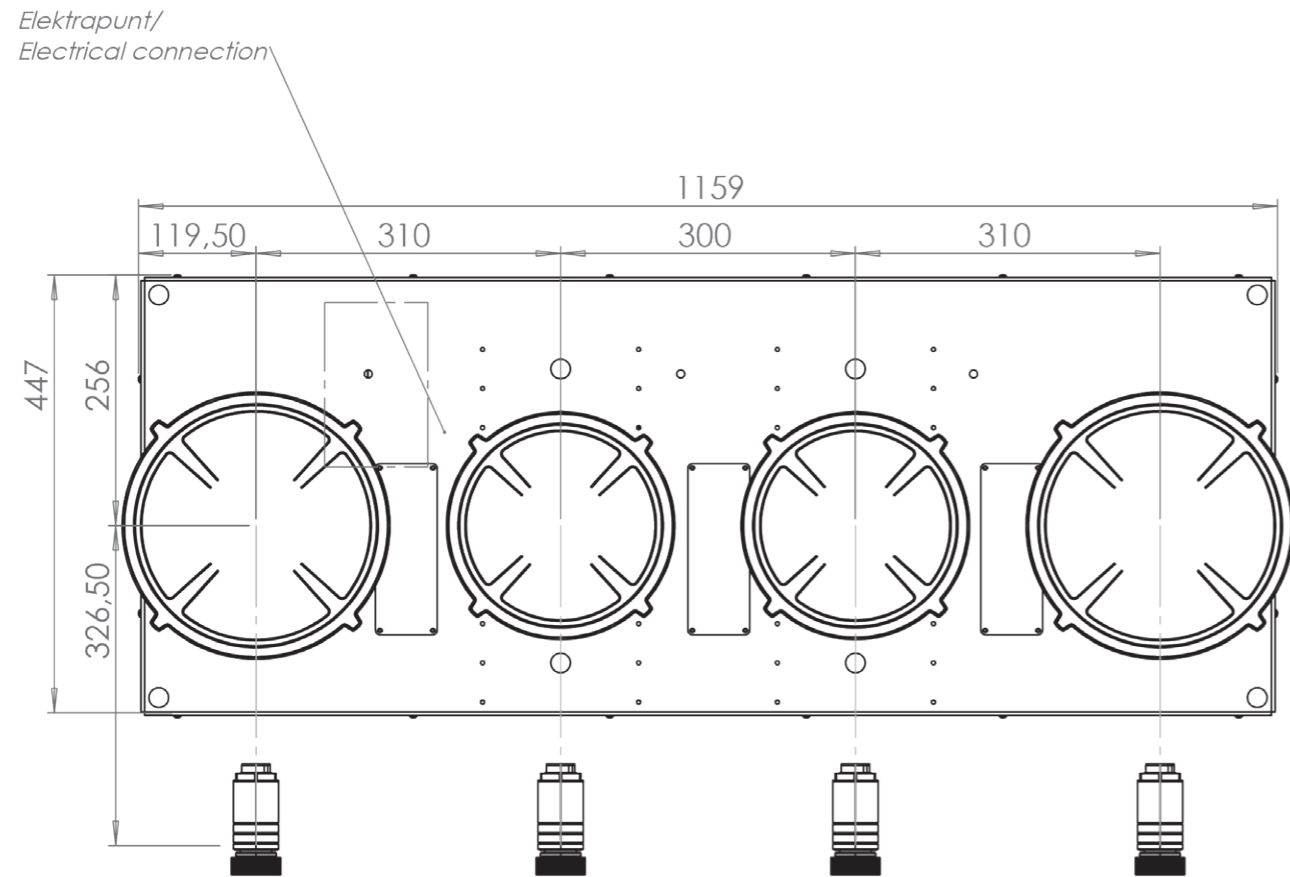
Top view



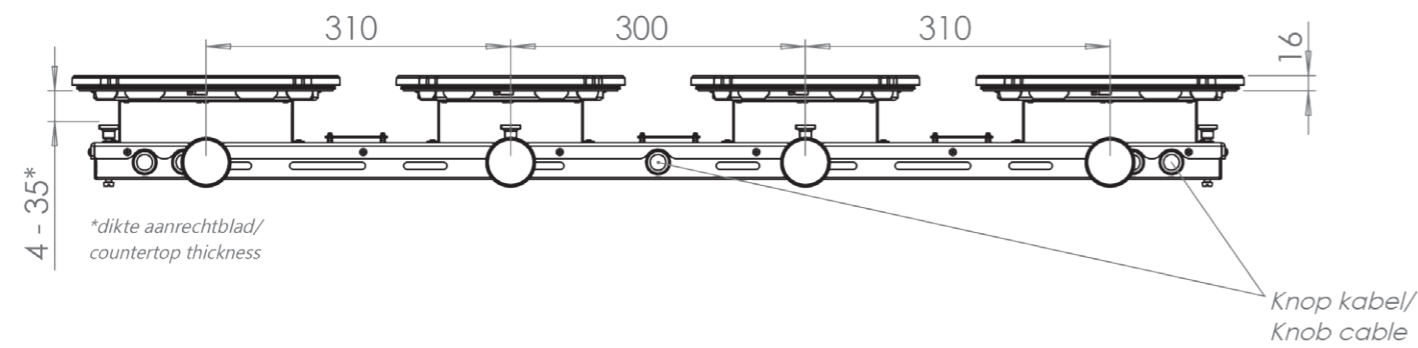
## Control knob



**Technical drawing**

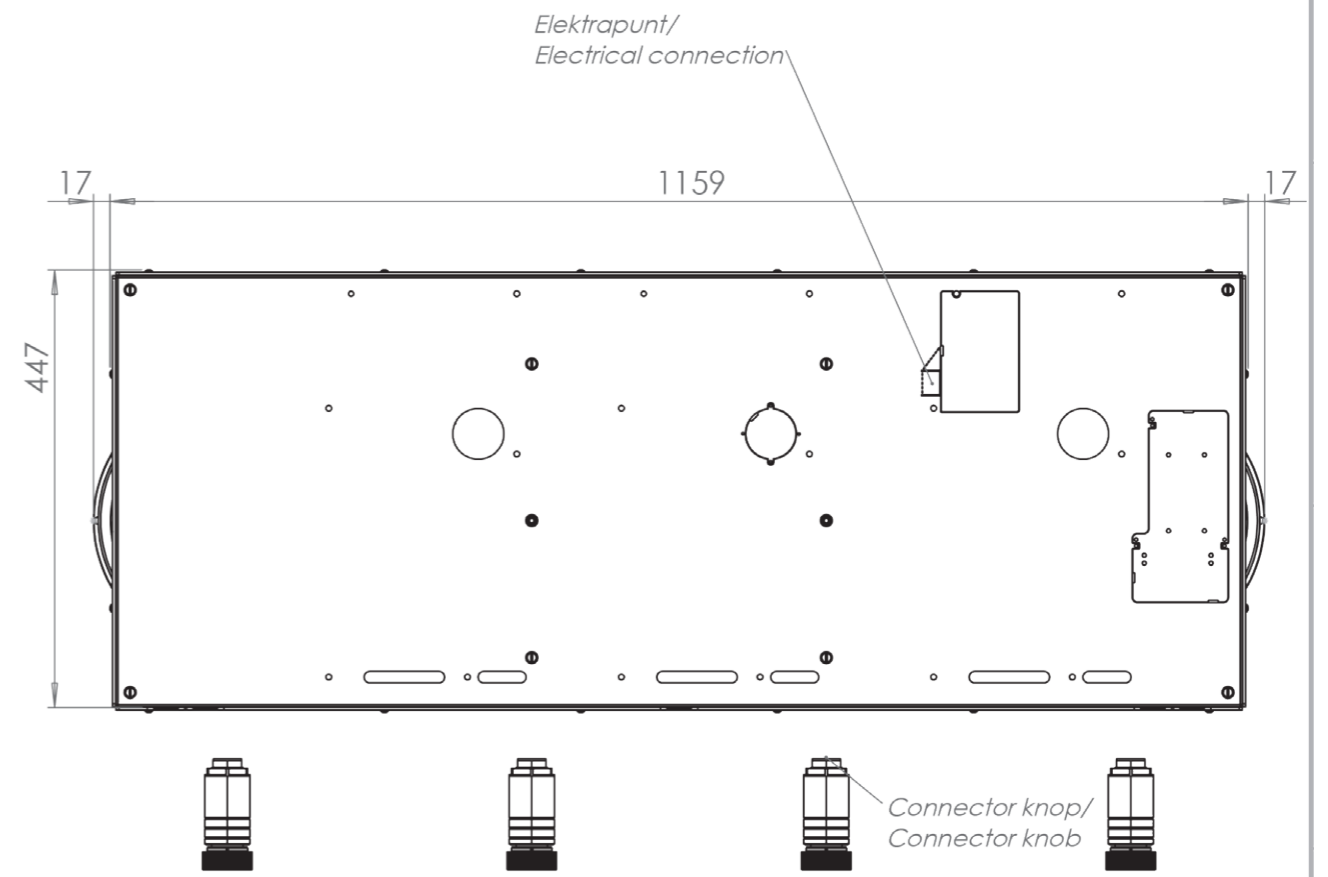


**Bovenaanzicht / Top view**

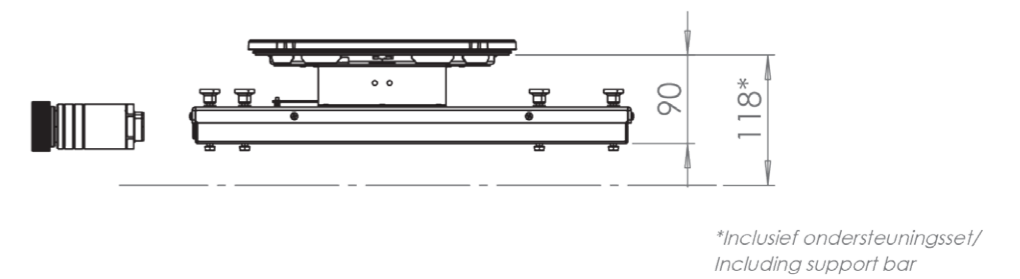


**Vooraanzicht / Front view**

**Technical drawing**



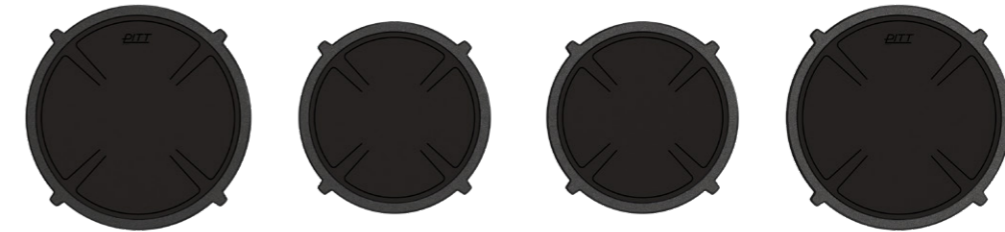
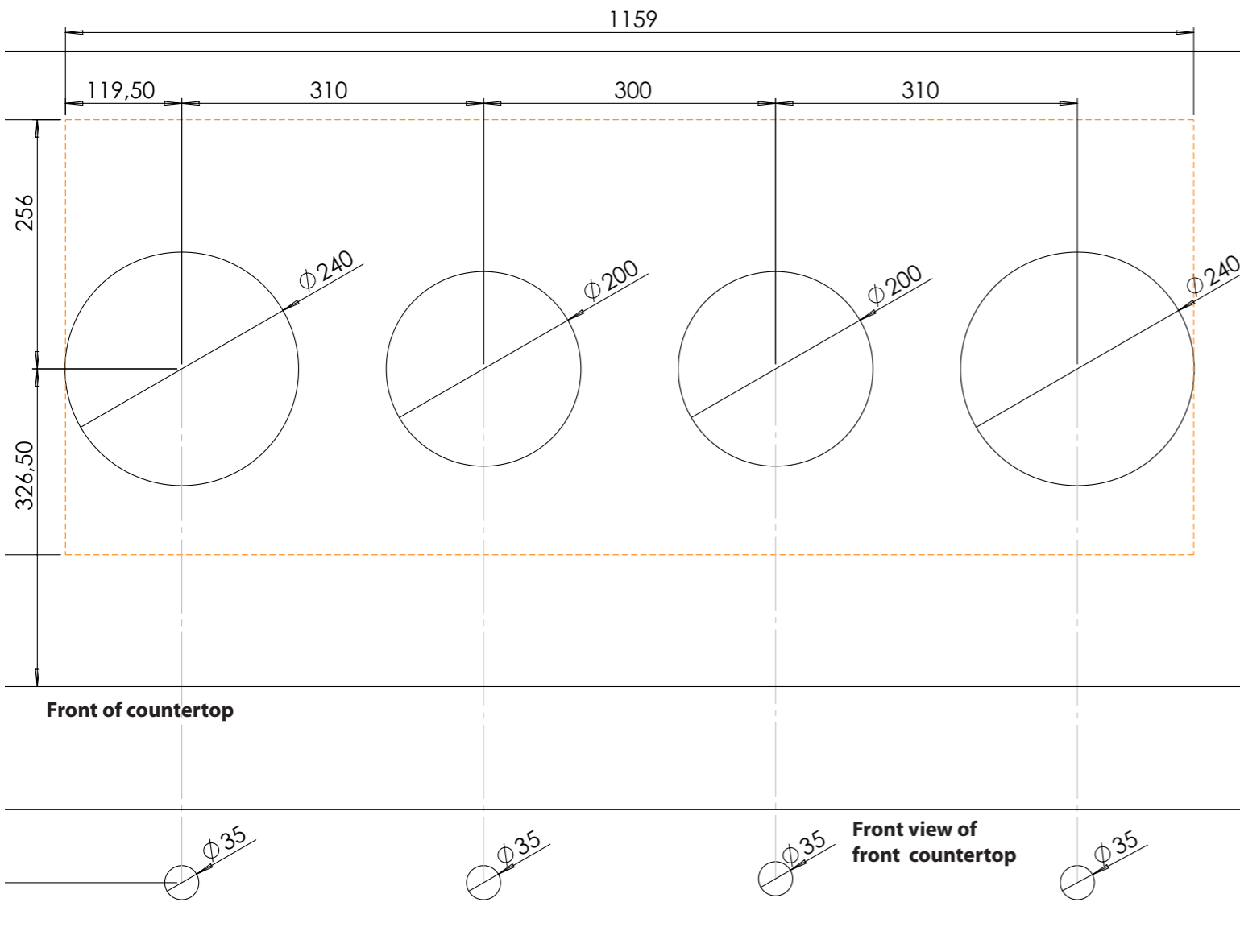
**Onderaanzicht / Bottom view**



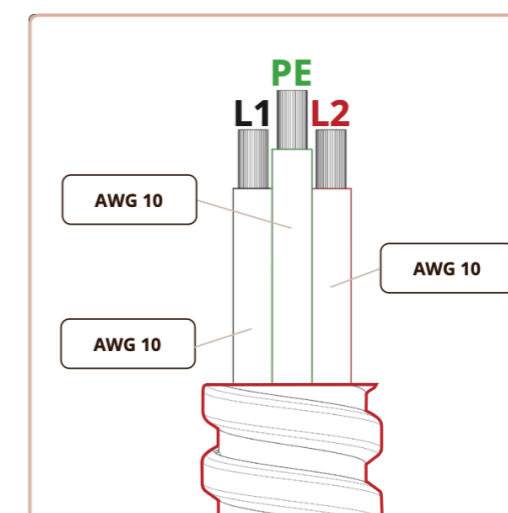
**Zijaanzicht / Side view**

## Hole pattern

## Technical information



Model	Danau-I Front Side
Nominal voltage	208 VAC / 240 VAC
Maximum power	6,656W (@208VAC) / 7,680W (@240VAC)
Unit dimensions (LxWxH)	17.60 × 45.63 × 3.54 inches 447 x 1159 x 90 mm
Total height (including support set)	4.65 inches 118 mm
Minimum cabinet width	47.24 inches 1200 mm
Minimum countertop depth	25.59 inches 650 mm
Countertop thickness	0.16-1.38 inches 4-35 mm
Type of cooking system	Induction
Model edition	Black





Installation and handling instructions



Installation manual induction



User manual induction