

*Made in Holland*

**PITT**  
COOKING



## ***Induction***

*Bromo-I  
Top Side*

TS INDUCTION 2026-3.1

## Exploded view

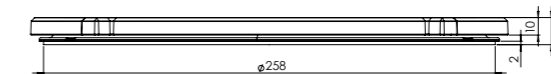
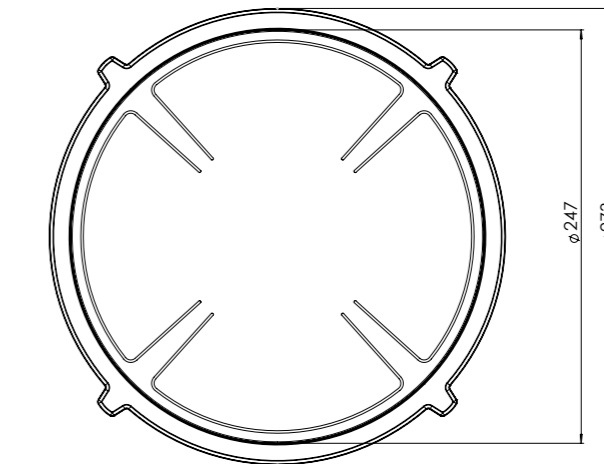
## Induction zones



1. **Decorative ring small**  
COATED ALUMINUM
2. **Decorative ring large**  
COATED ALUMINUM
3. **Induction zone small**  
COATED ALUMINUM/ CERAMIC GLASS

4. **Induction zone large**  
COATED ALUMINUM/ CERAMIC GLASS
5. **Control knob**  
ALUMINUM/GLASS
6. **Cassette**  
ALUMINUM

Large zone



LARGE ZONE

## Control knob

3D-visualization of Top Side knob

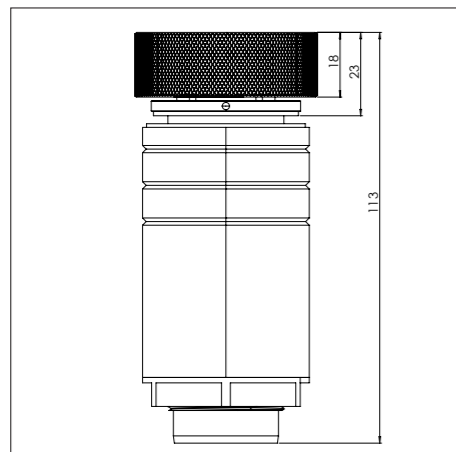


3D-visualization Front Side knob

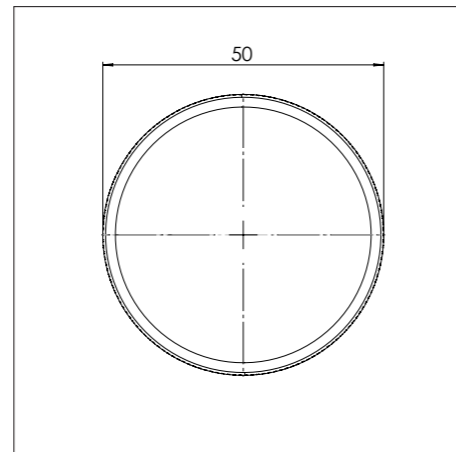


## Dimensions control knob

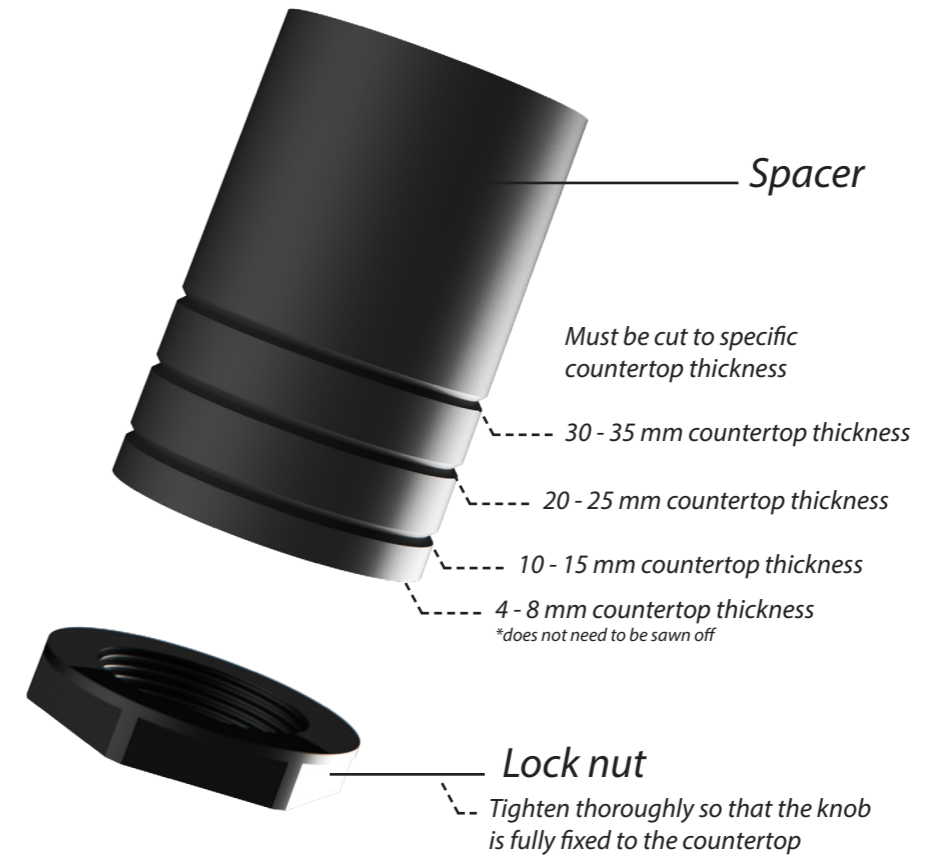
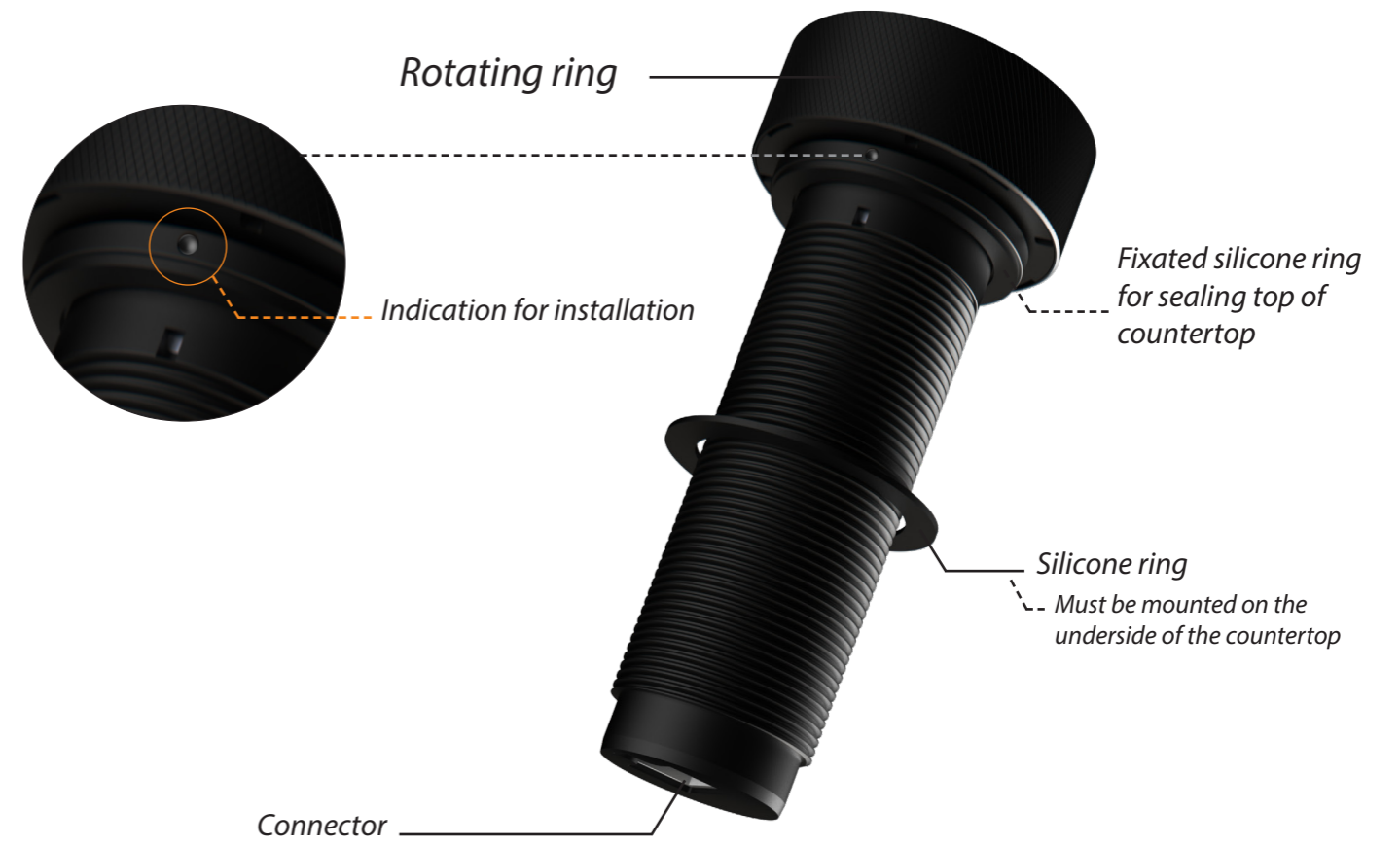
Front view



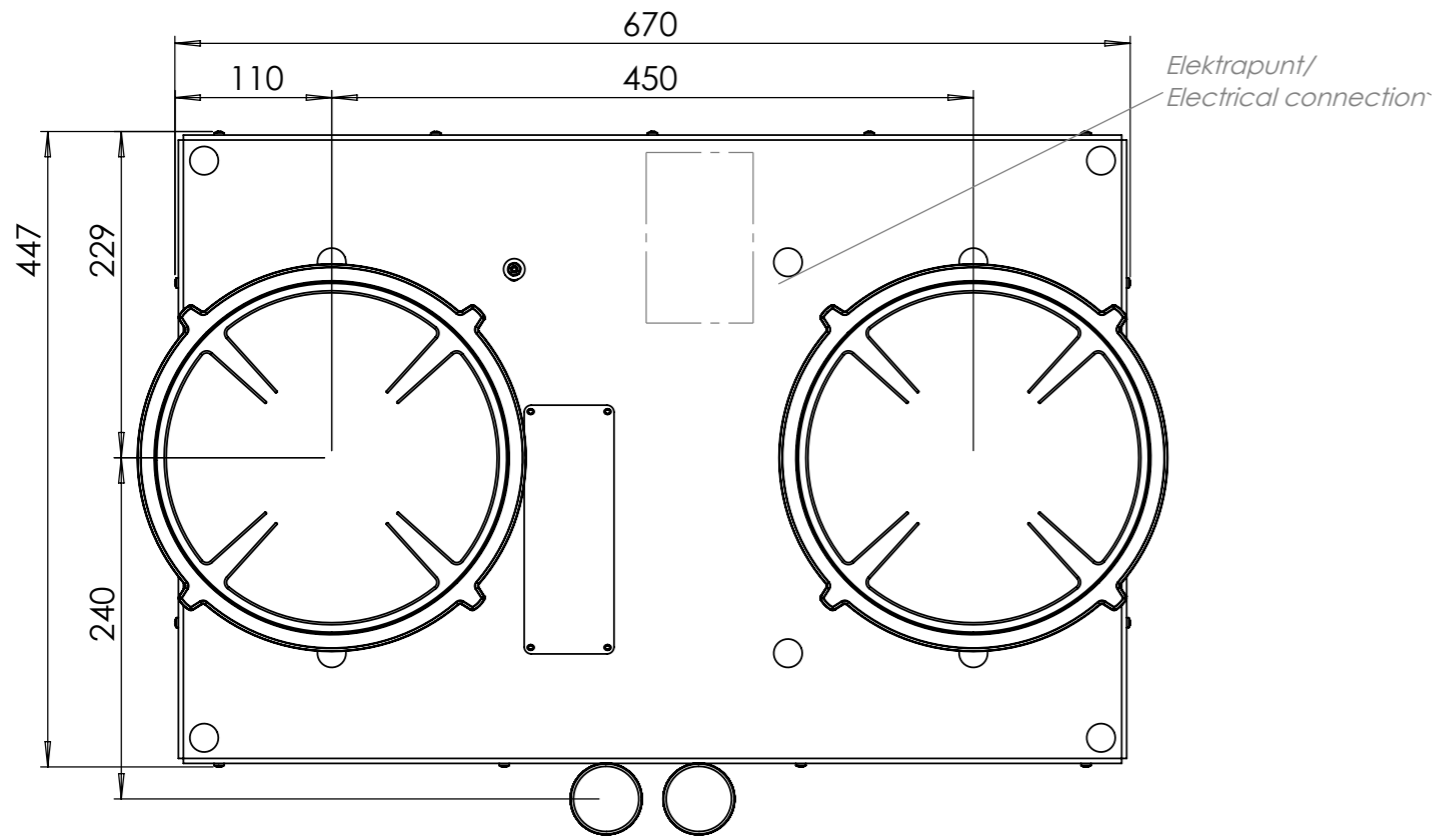
Top view



## Control knob

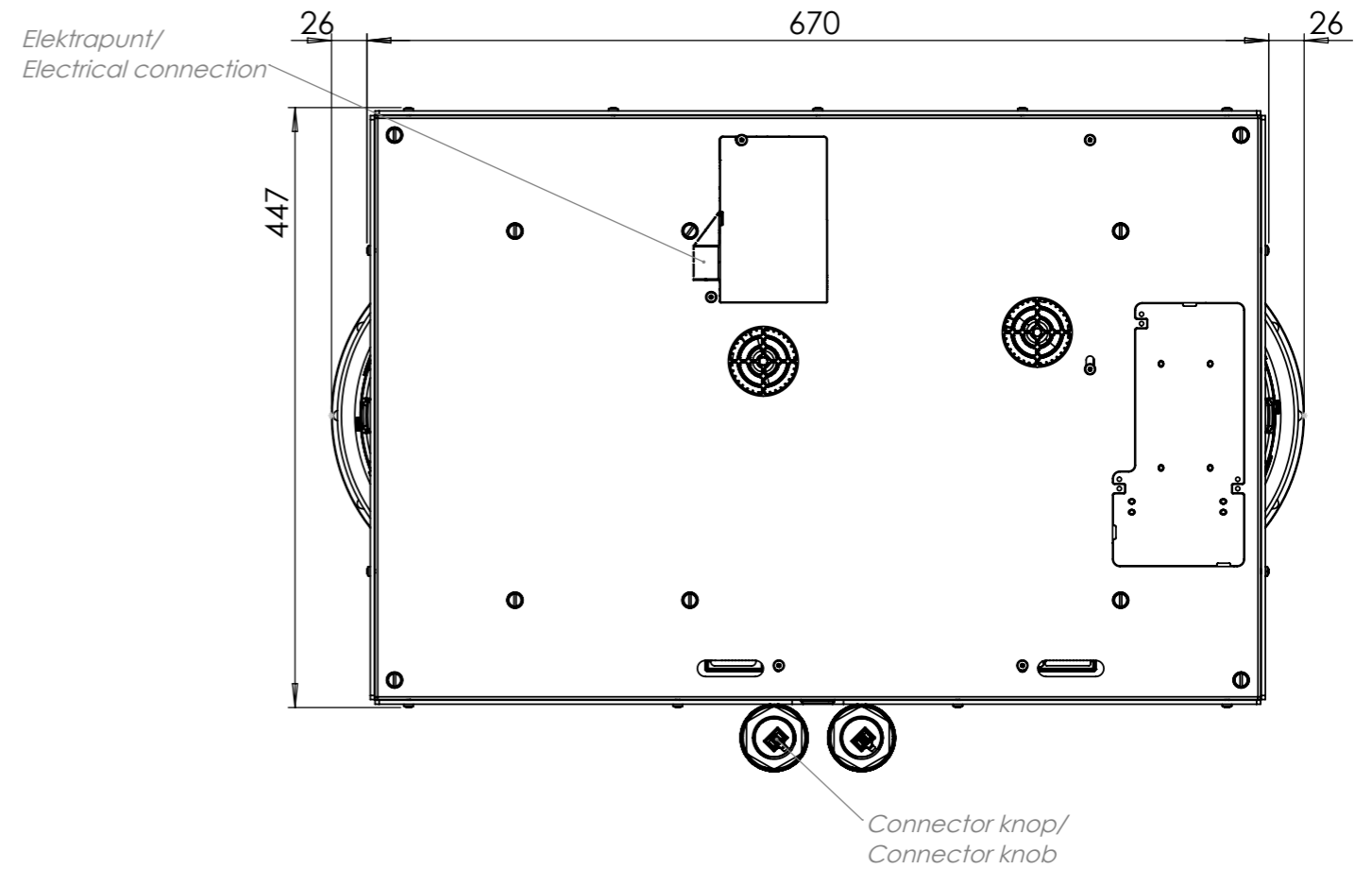


Technical drawing

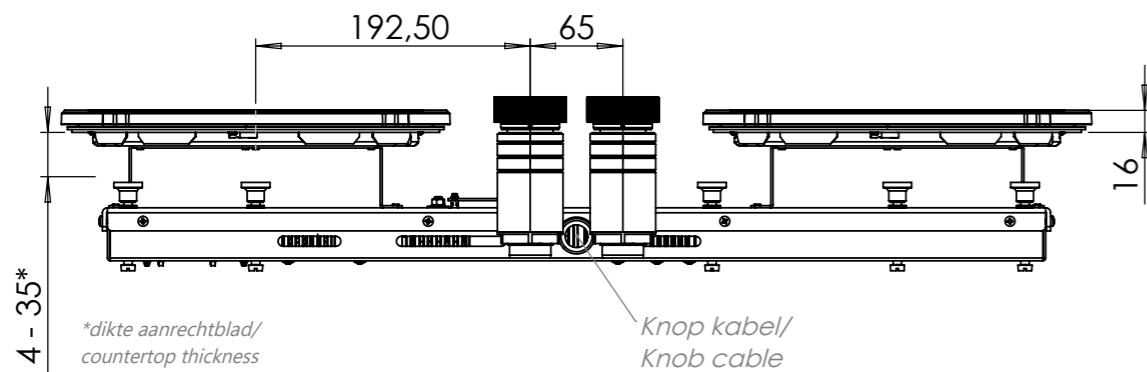


Bovenaanzicht / Top view

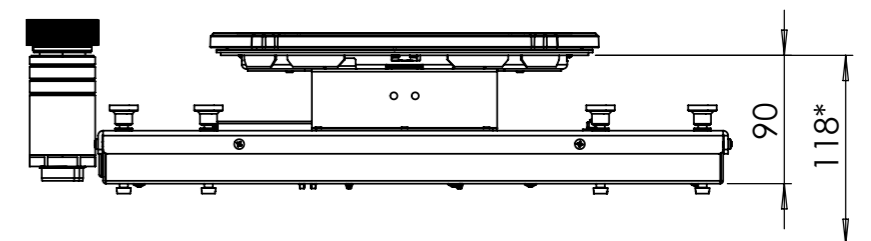
Technical drawing



Onderaanzicht / Bottom view



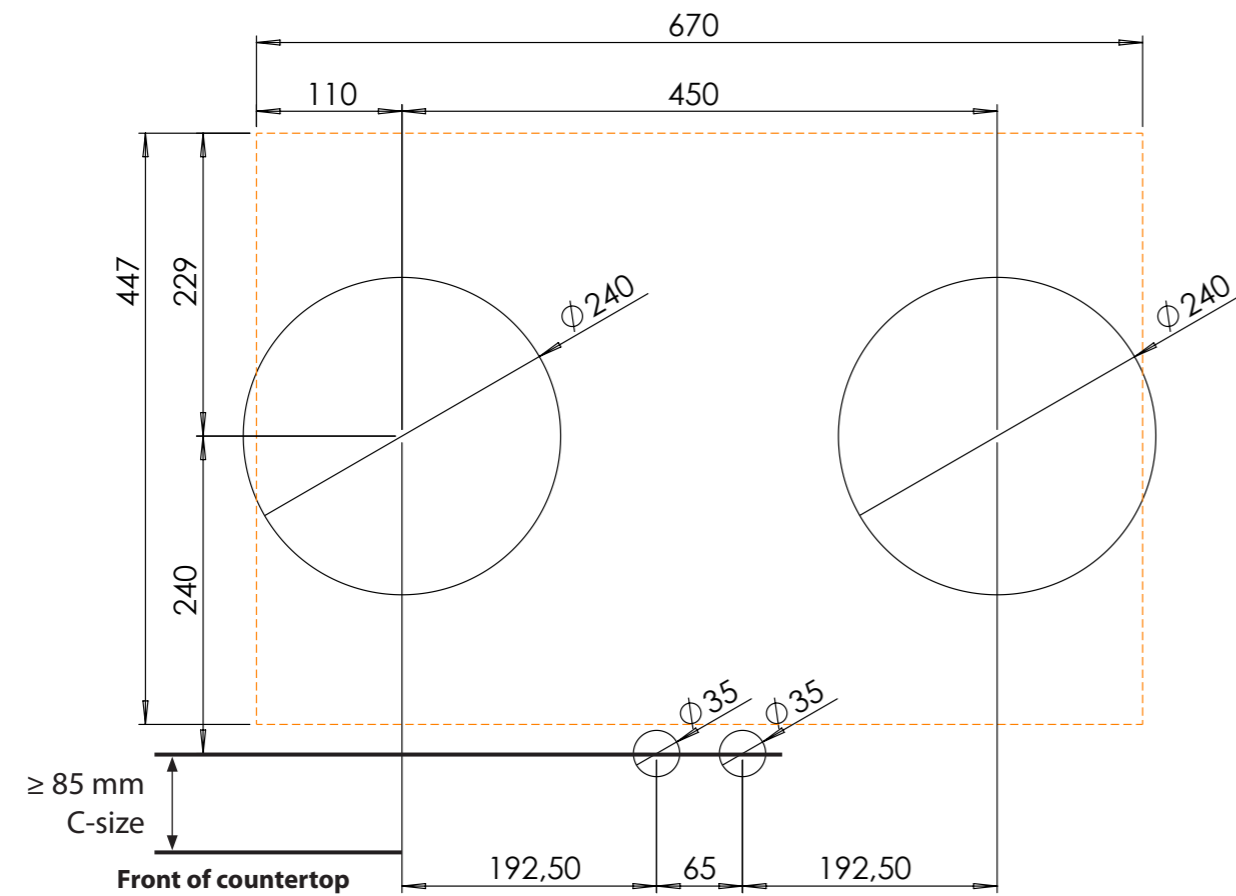
Vooraanzicht / Front view



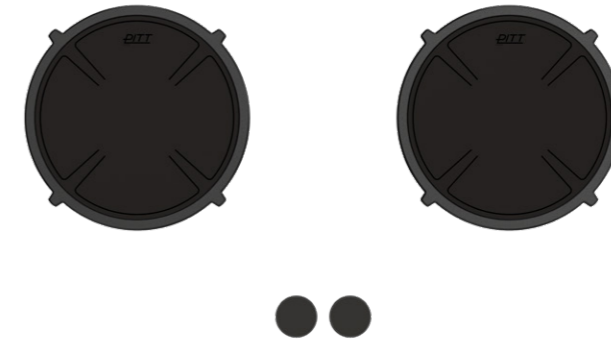
Zijaanzicht / Side view

\*Inclusief ondersteuningsset/  
Including support bar

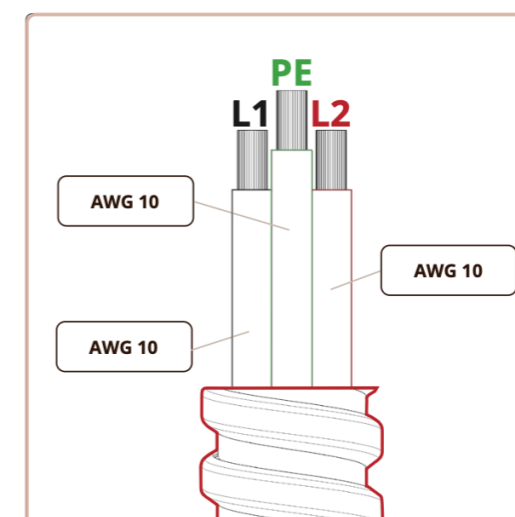
## Hole pattern



## Technical information



Model	Bromo-I Top Side
Nominal voltage	208 VAC / 240 VAC
Maximum power	6,000W (@208VAC) / 6,000W (@240VAC)
Unit dimensions (LxWxH)	17.60 × 26.38 × 3.54 inches 447 x 670 x 90 mm
Total height (including support set)	4.65 inches 118 mm
Minimum cabinet width	31.50 inches 800 mm
Minimum countertop depth	23.62 inches 600 mm
Countertop thickness	0.16-1.38 inches 4-35 mm
Type of cooking system	Induction
Model edition	Black





Installation and handling instructions



Installation manual induction



User manual induction

*Made in Holland*

**PITT**  
COOKING

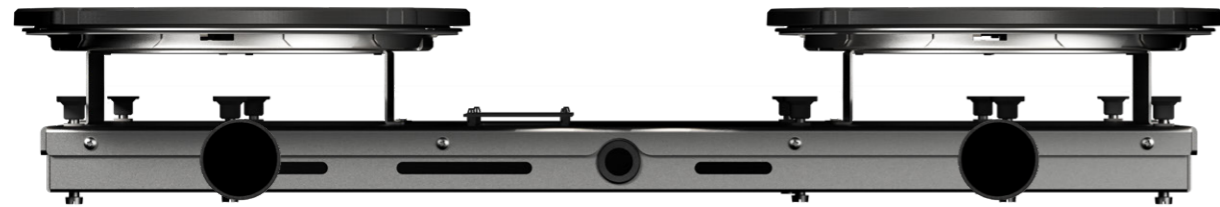


***Induction***

*Bromo-I  
Front Side*

**Exploded view**

**Induction zones**



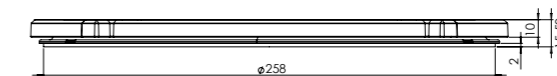
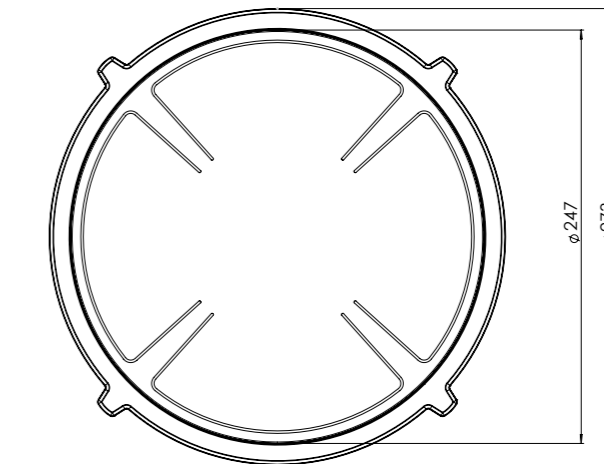
**1. Decorative ring large**  
COATED ALUMINUM

**2. Induction zone large**  
COATED ALUMINUM/ CERAMIC GLASS

**3. Control knob**  
ALUMINUM/GLASS

**4. Cassette**  
ALUMINUM

**Large zone**



**LARGE ZONE**

## Control knob

3D-visualization of Top Side knob

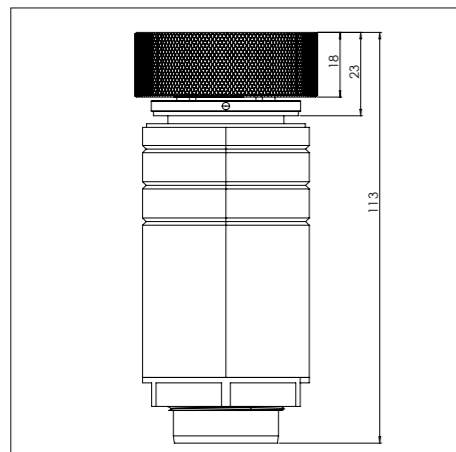


3D-visualization Front Side knob

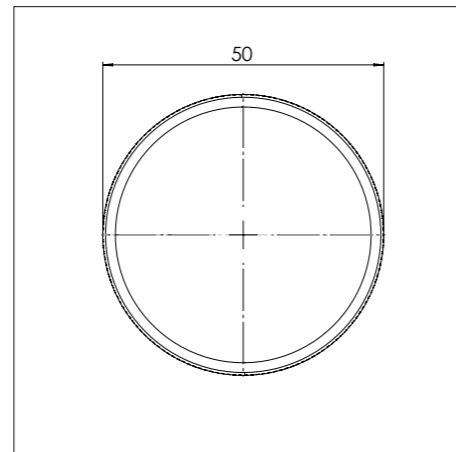


## Dimensions control knob

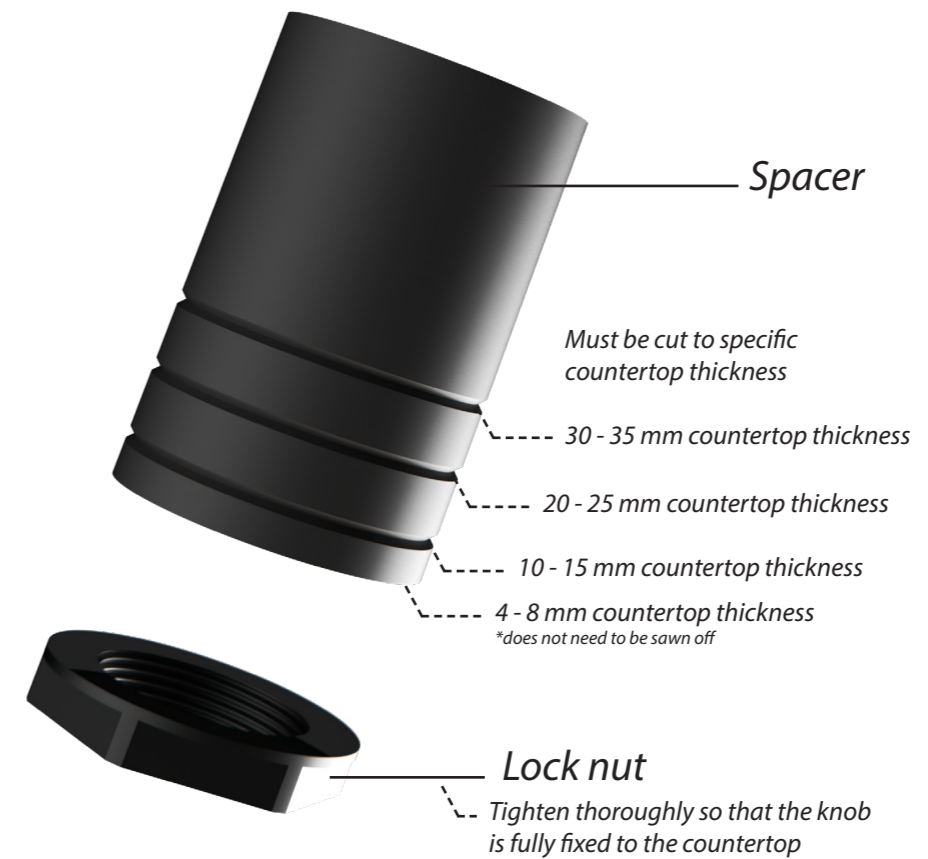
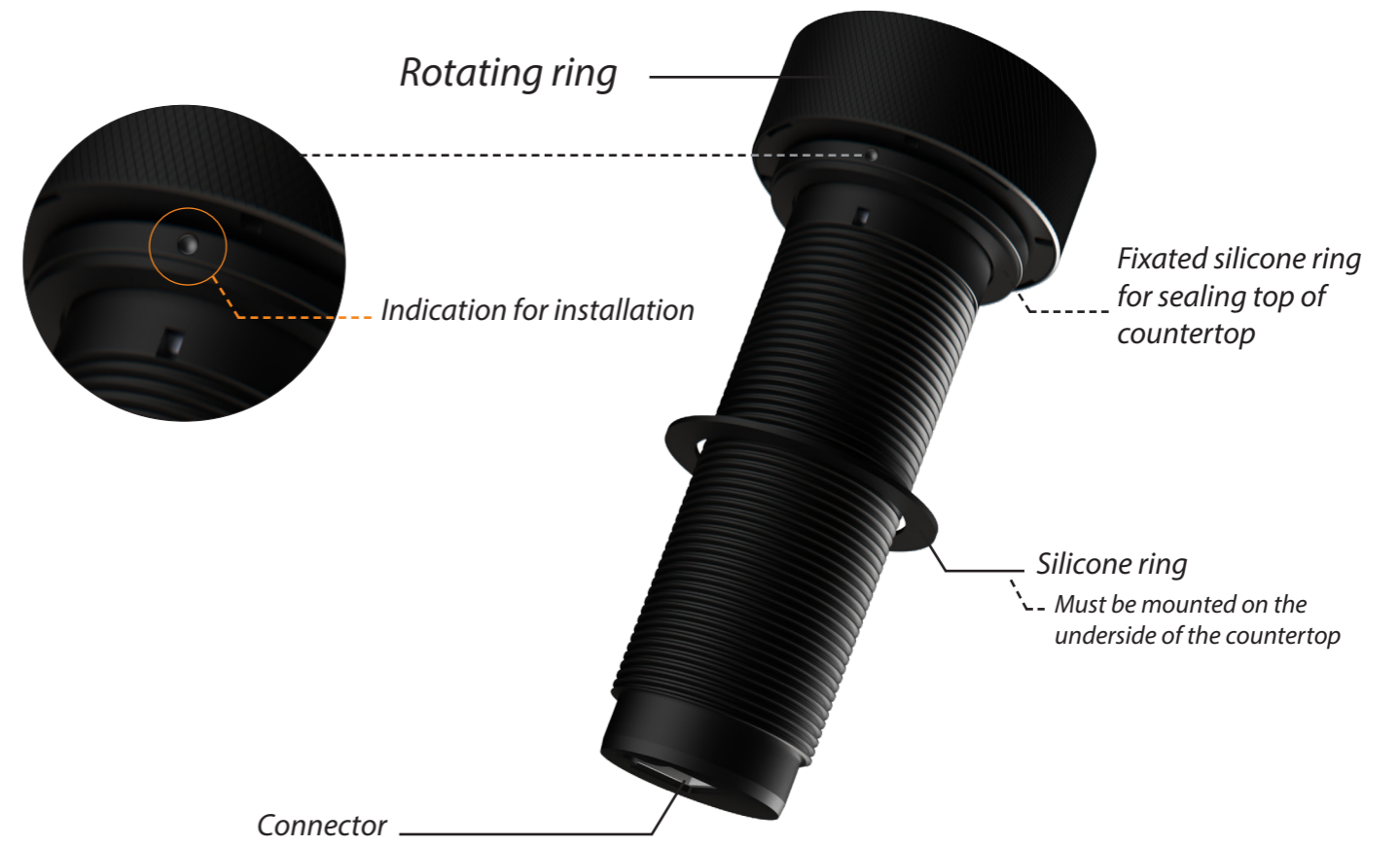
Front view



Top view

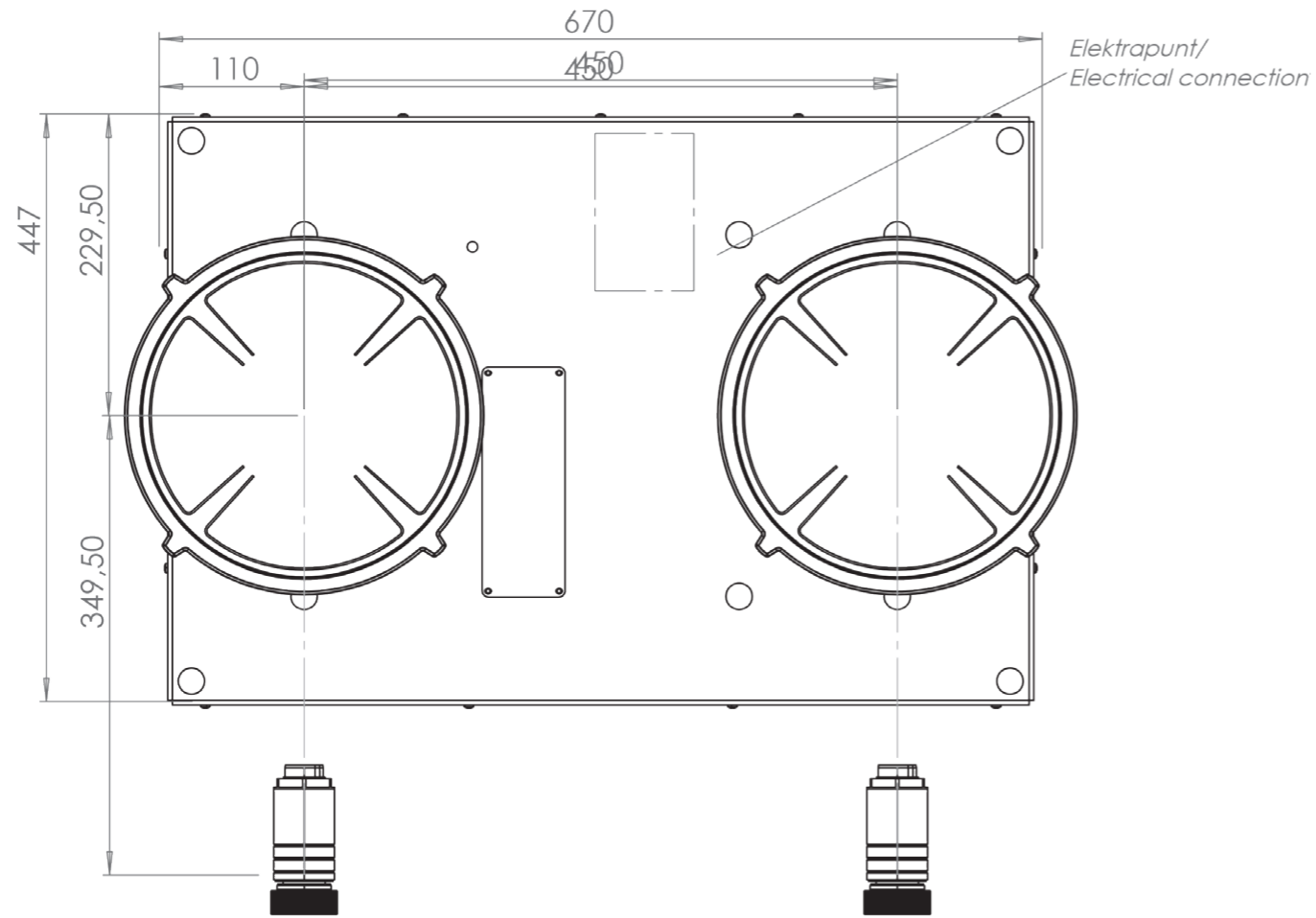


## Control knob

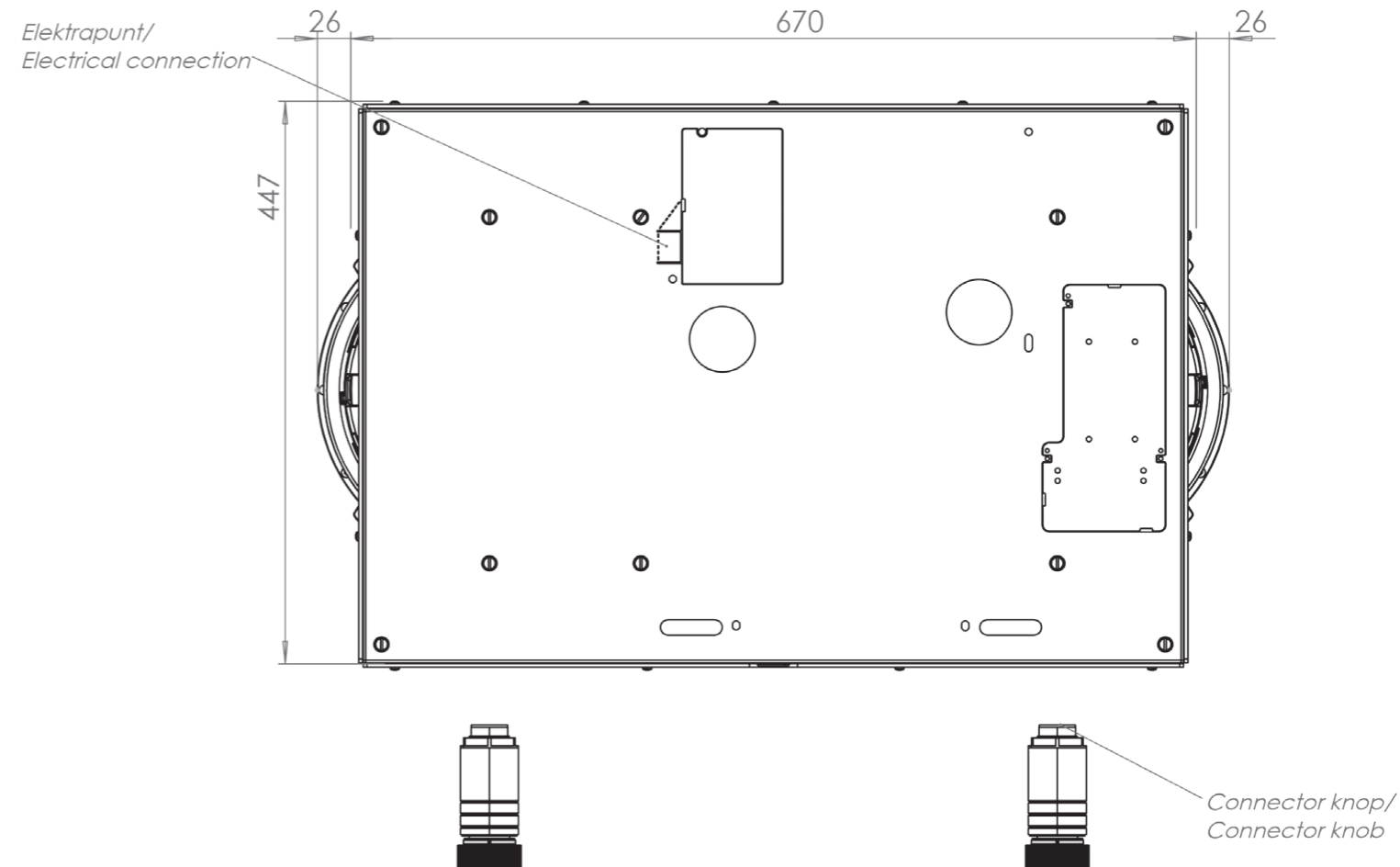


Technical drawing

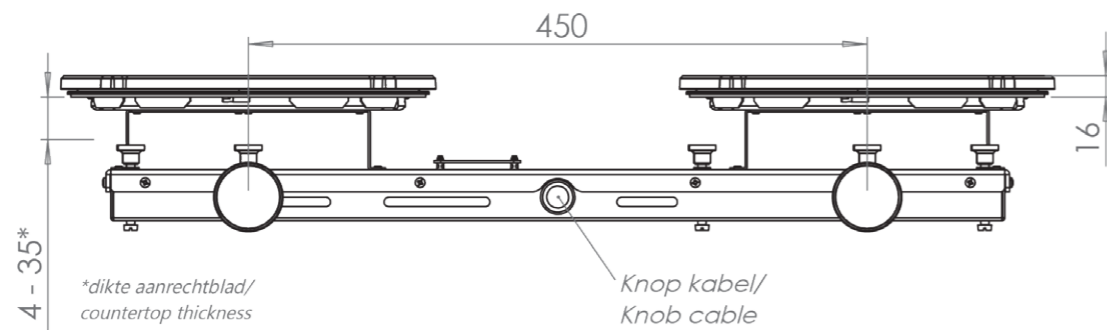
Technical drawing



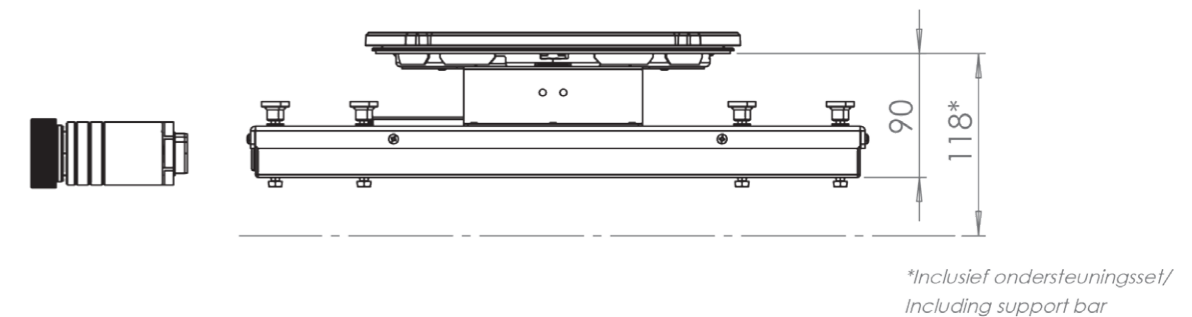
Bovenaanzicht / Top view



Onderaanzicht / Bottom view

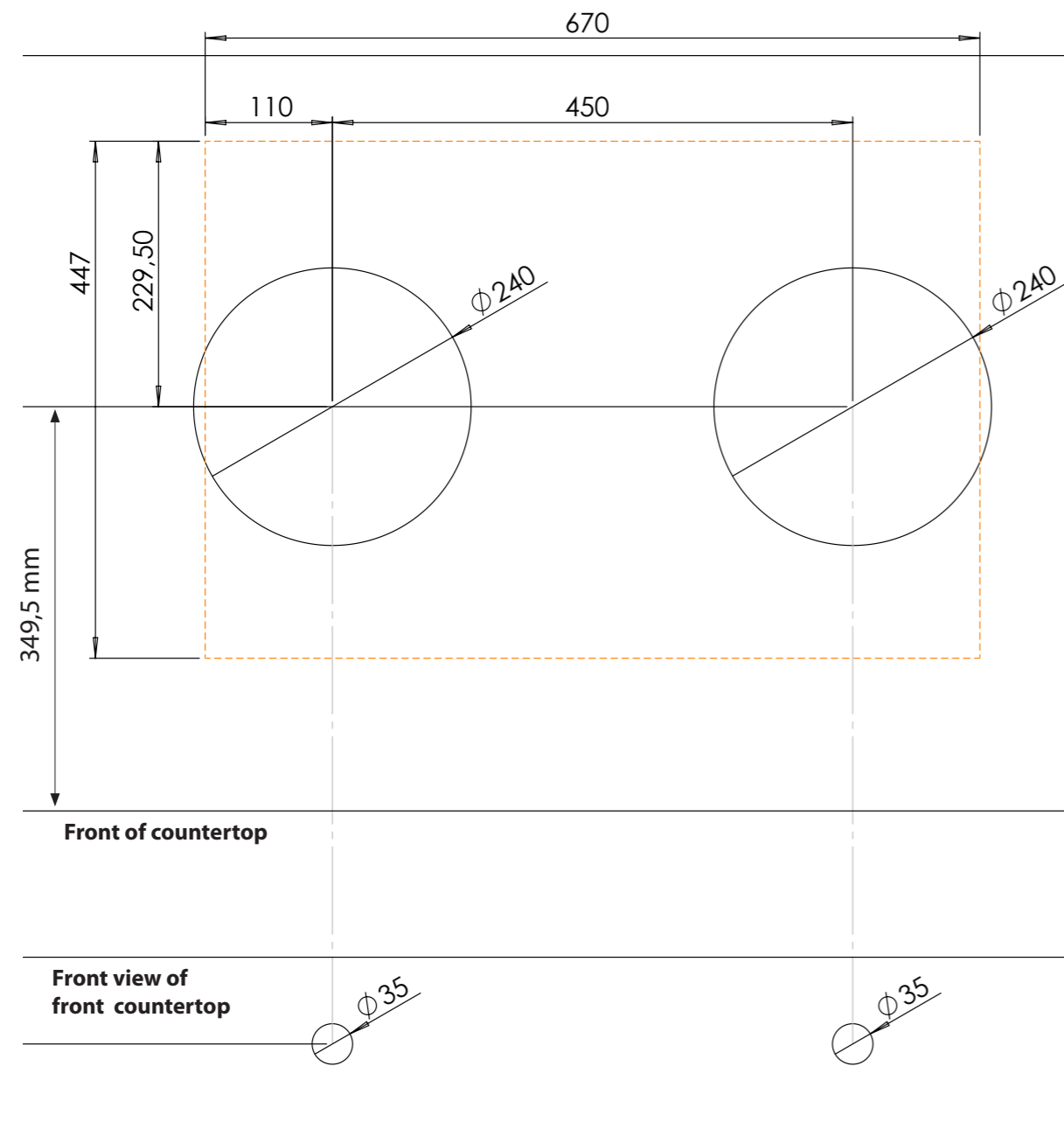


Vooraanzicht / Front view

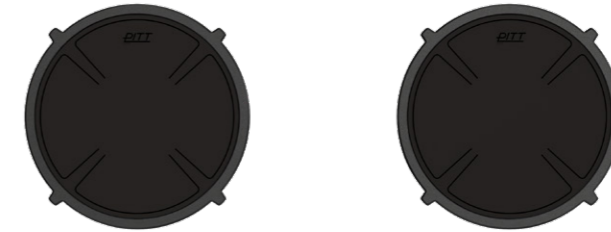


Zijaanzicht / Side view

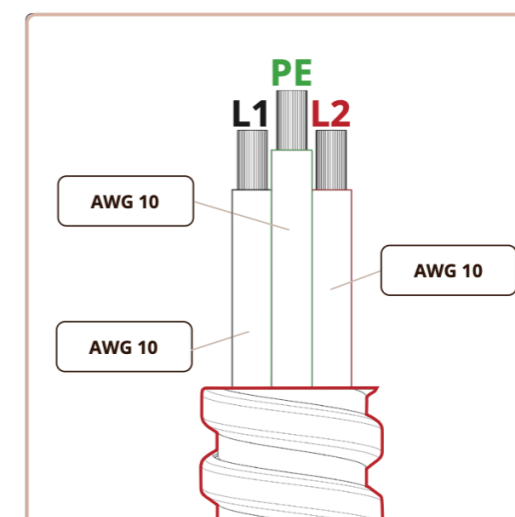
## Hole pattern



## Technical information



Model	Bromo-I Front Side
Nominal voltage	208 VAC / 240 VAC
Maximum power	6,000W (@208VAC) / 6,000W (@240VAC)
Unit dimensions (LxWxH)	17.60 × 26.38 × 3.54 inches 447 x 670 x 90 mm
Total height (including support set)	4.65 inches 118 mm
Minimum cabinet width	31.50 inches 800 mm
Minimum countertop depth	25.59 inches 650 mm
Countertop thickness	0.16-1.38 inches 4-35 mm
Type of cooking system	Induction
Model edition	Black





Installation and handling instructions



Installation manual induction



User manual induction