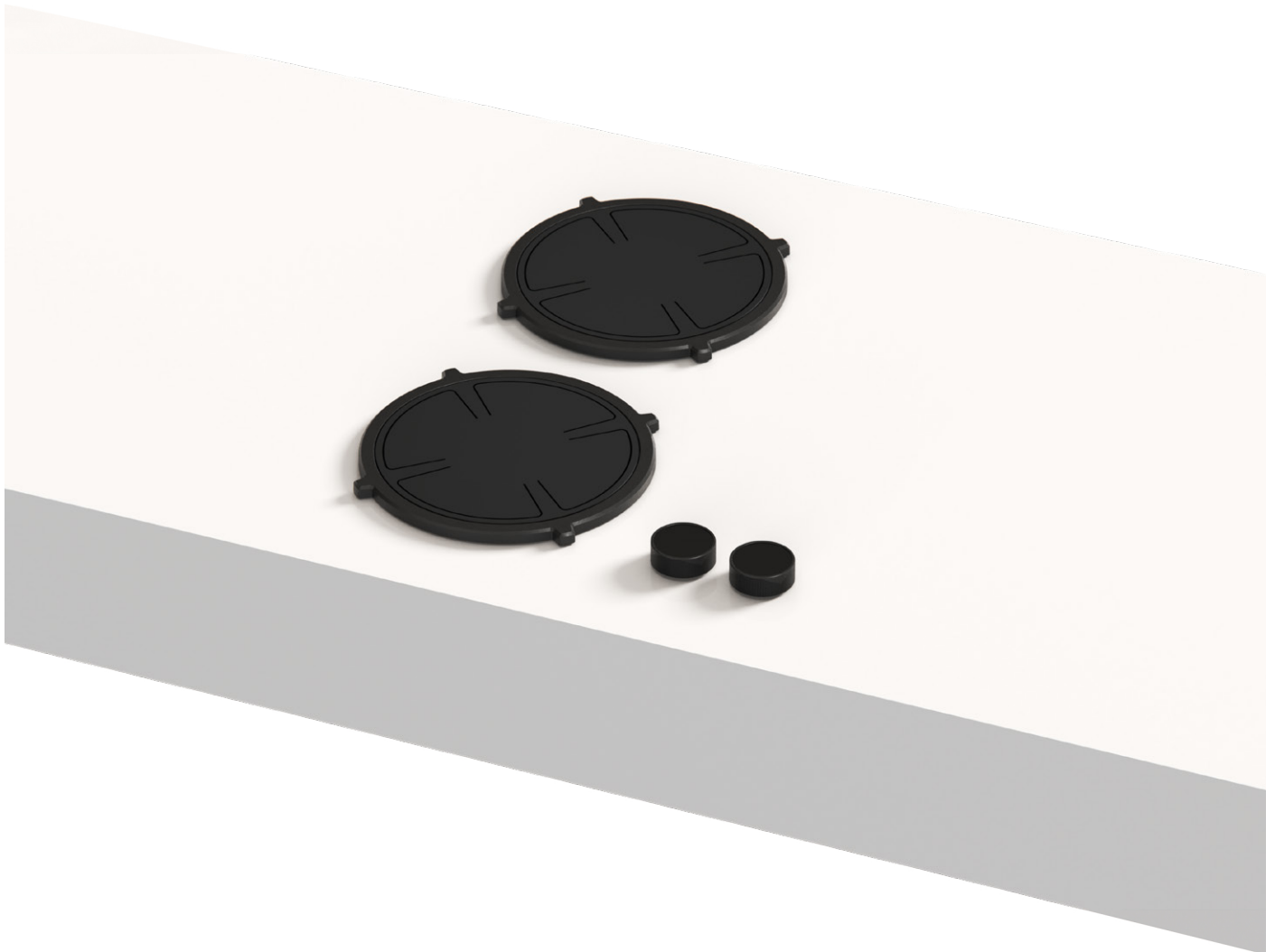


*Made in Holland*

**PITT**  
COOKING



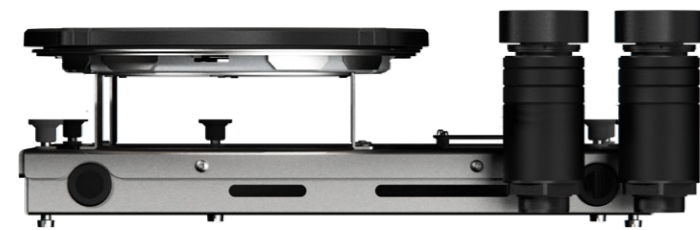
## ***Induction***

*Balut-I*  
*Top Side*

TS INDUCTION 2026-3.1

**Exploded view**

**Induction zones**



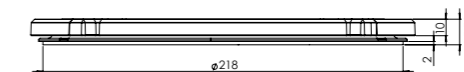
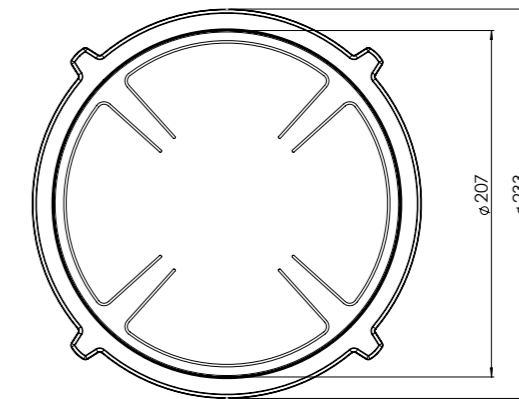
1. **Decorative ring small**  
COATED ALUMINUM

2. **Induction zone small**  
COATED ALUMINUM/ CERAMIC GLASS

3. **Control knob**  
ALUMINUM/GLASS

4. **Cassette**  
ALUMINUM

**Small zone**



**SMALL ZONE**

## Control knob

3D-visualization of Top Side knob

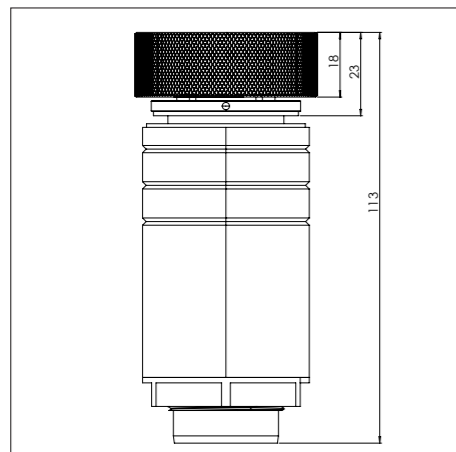


3D-visualization Front Side knob

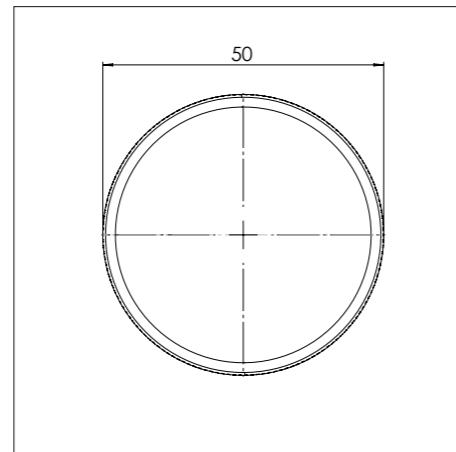


## Dimensions control knob

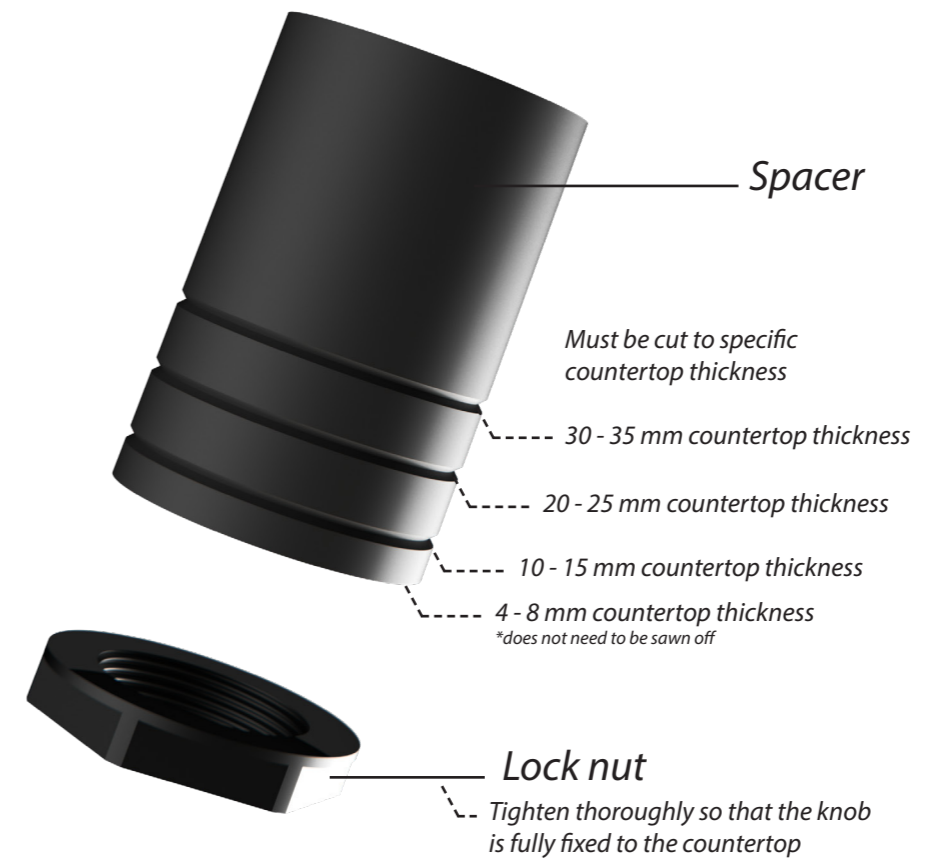
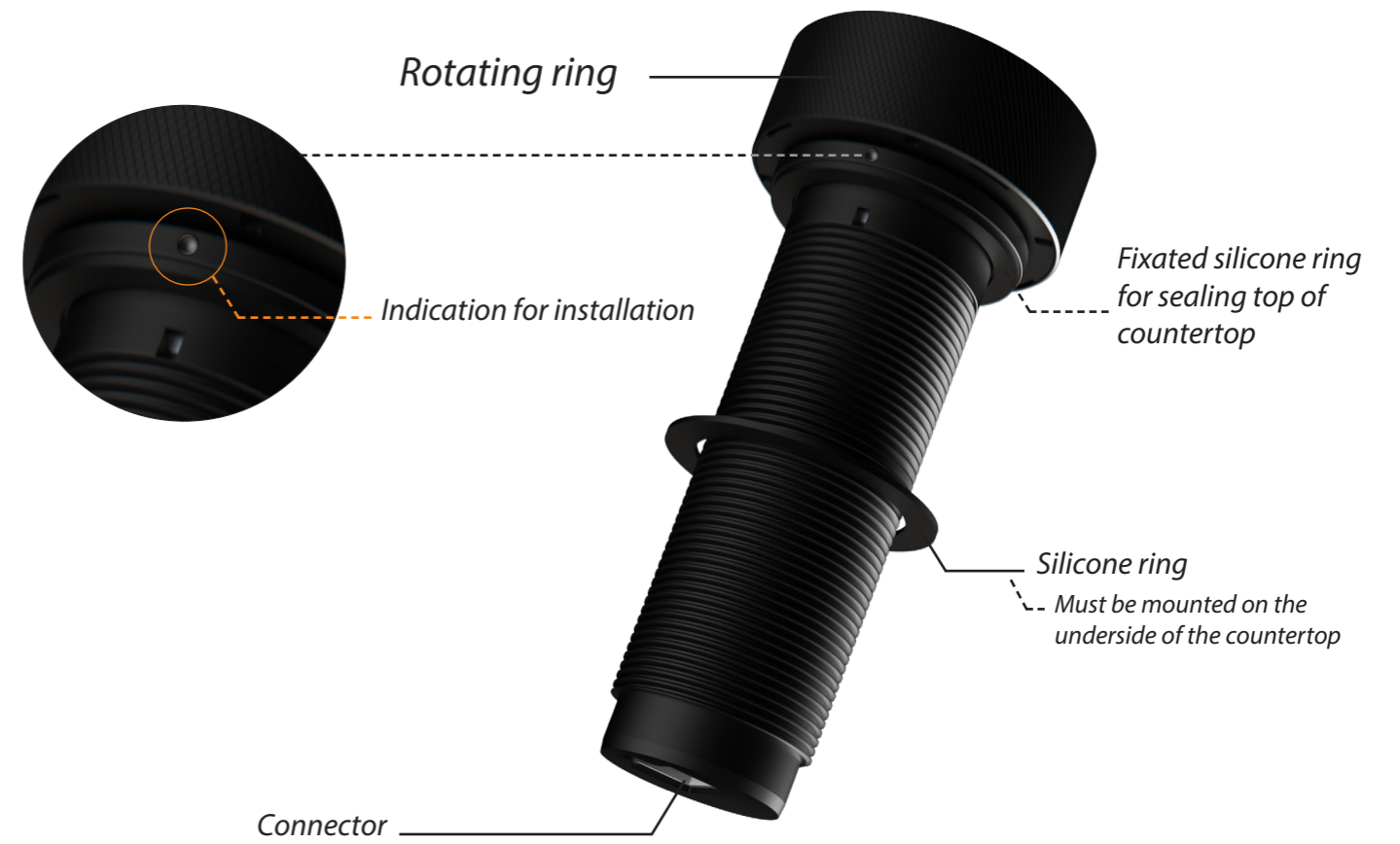
Front view

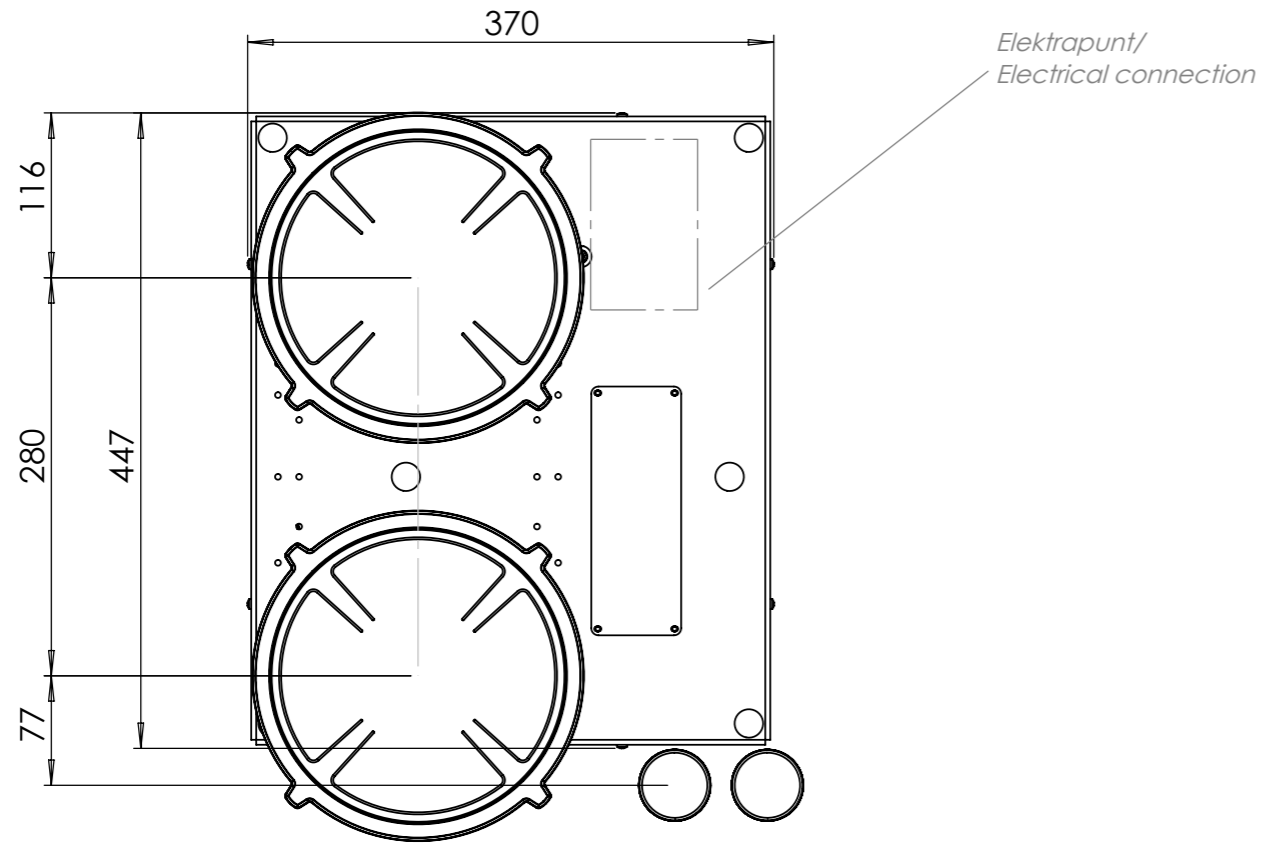


Top view

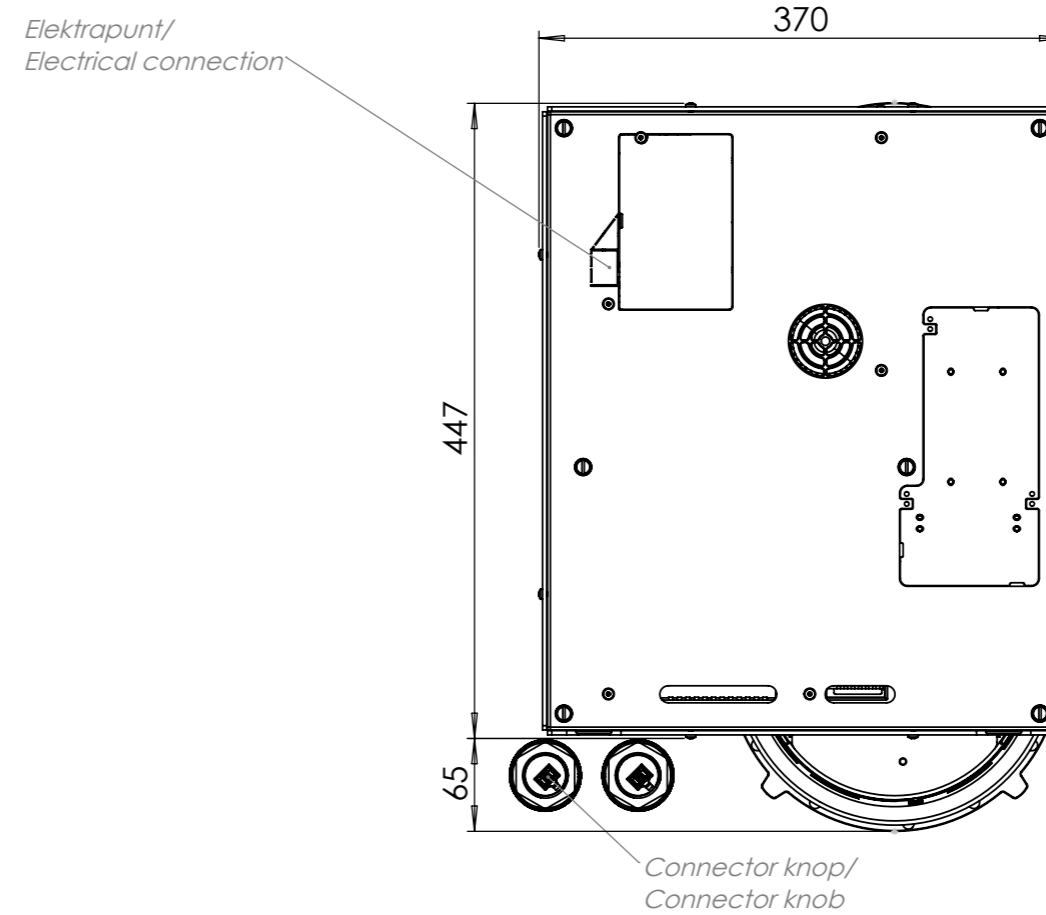


## Control knob

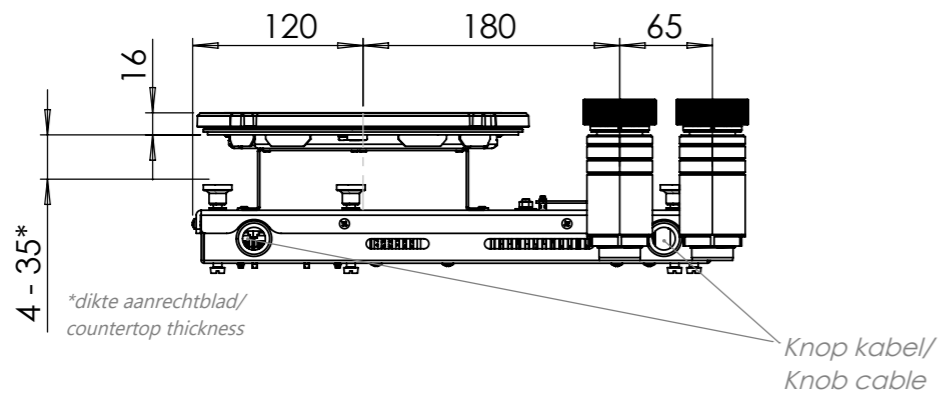




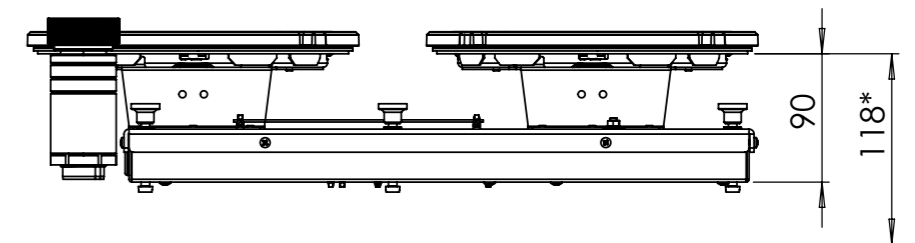
**Bovenaanzicht / Top view**



**Onderaanzicht / Bottom view**



**Vooraanzicht / Front view**

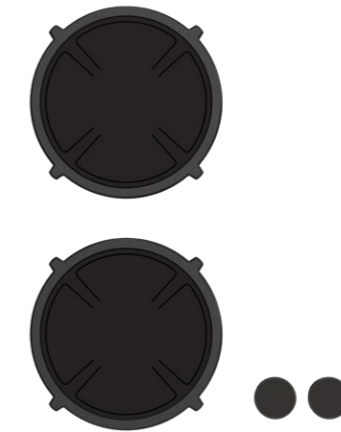
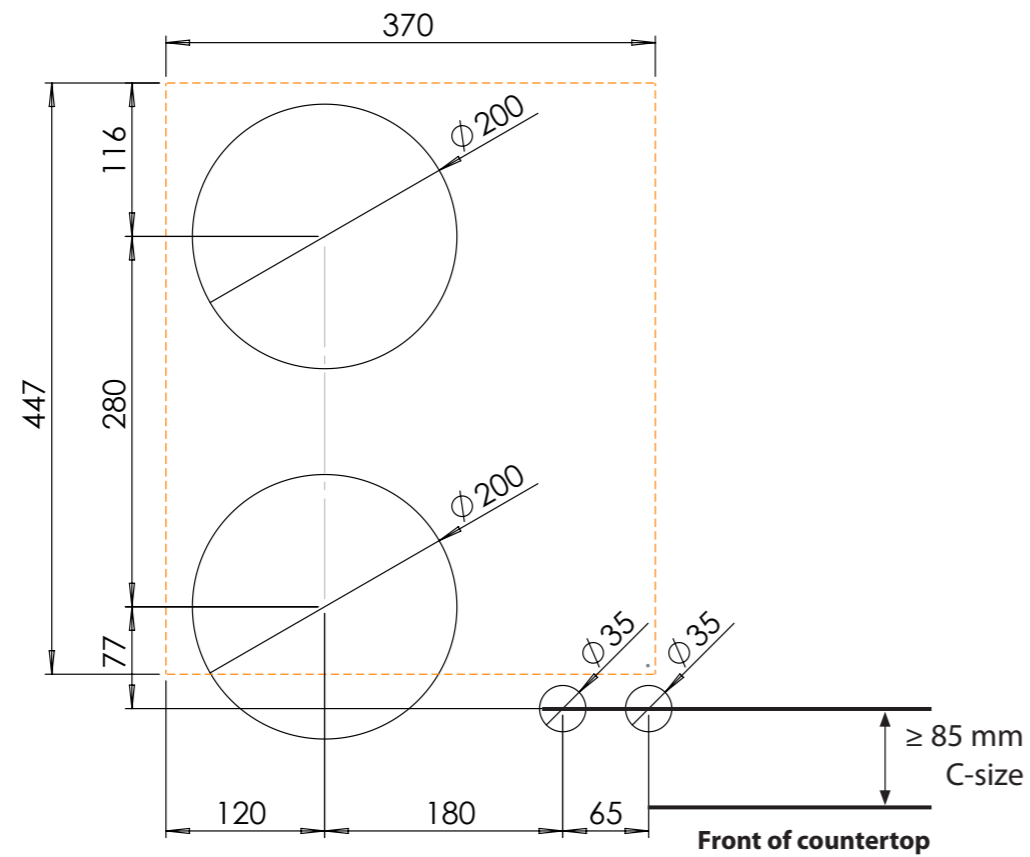


**Zijaanzicht / Side view**

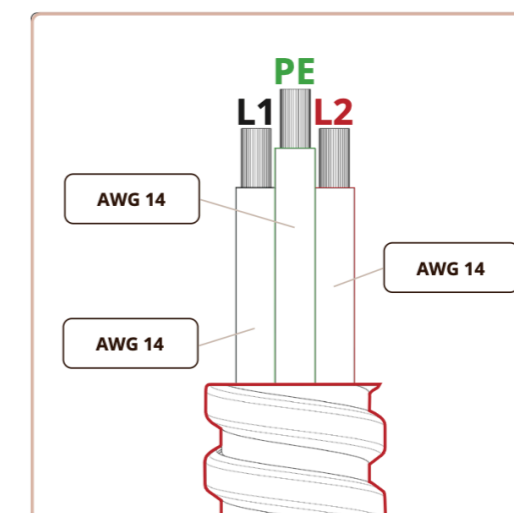
\*Inclusief ondersteuningsset/  
Including support bar

## Hole pattern

## Technical information



Model	Balut-I Top Side
Nominal voltage	208 VAC / 240 VAC
Maximum power	3,328W (@208VAC) / 3,840W (@240VAC)
Unit dimensions (LxWxH)	17.60 × 14.57 × 3.54 inches 447 x 370 x 90 mm
Total height (including support set)	4.65 inches 118 mm
Minimum cabinet width	17.72 inches 450 mm
Minimum countertop depth	23.62 inches 600 mm
Countertop thickness	0.16-1.38 inches 4-35 mm
Type of cooking system	Induction
Model edition	Black





Installation and handling instructions



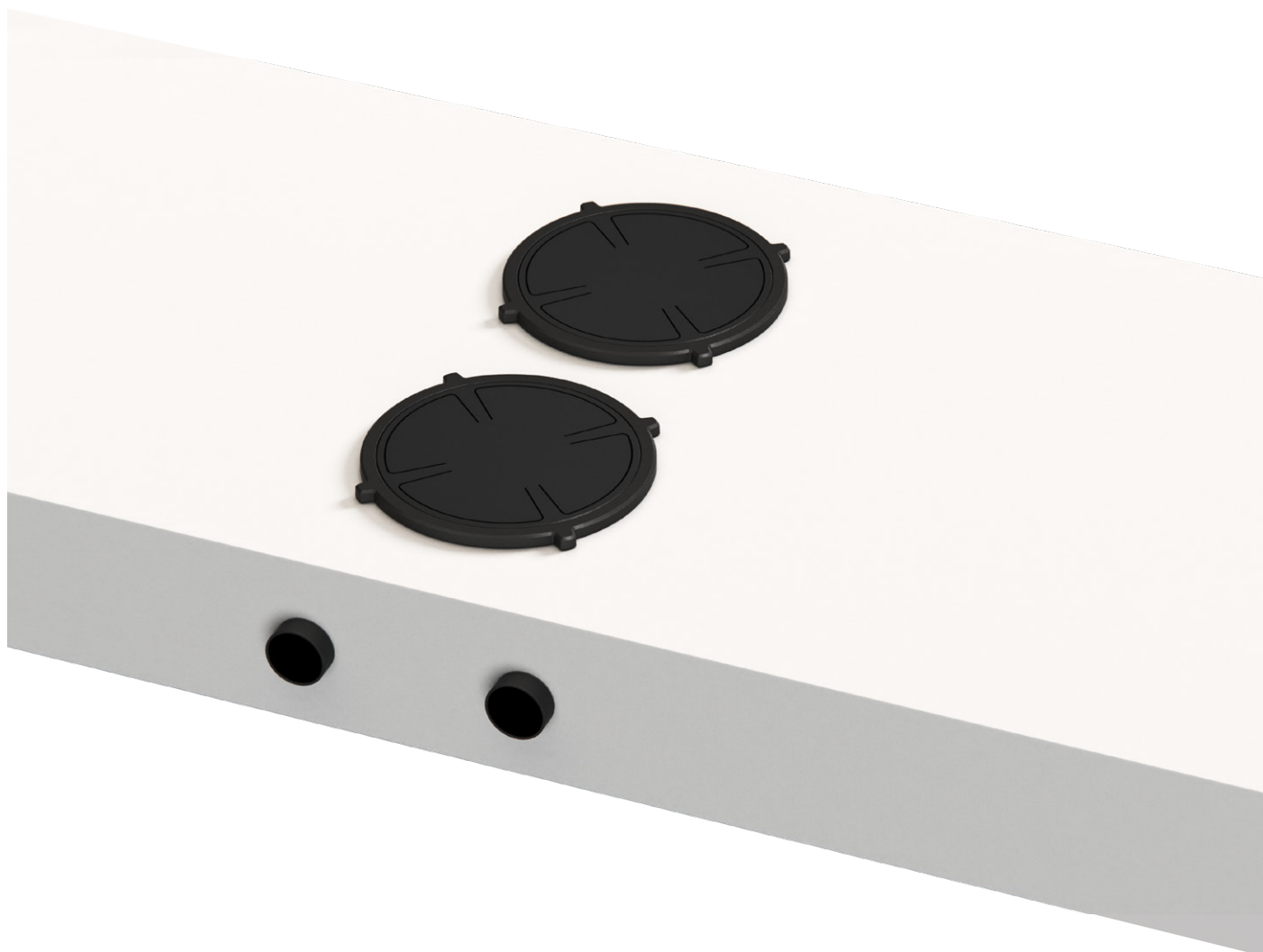
Installation manual induction



User manual induction

*Made in Holland*

**PITT**  
COOKING

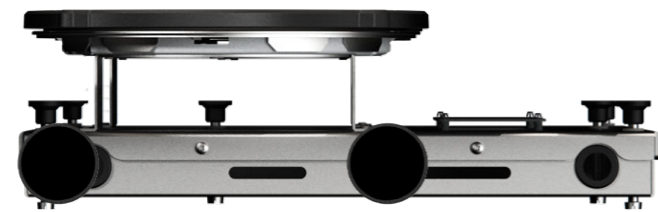


**Induction**

*Balut-I*  
*Front Side*

**Exploded view**

**Induction zones**



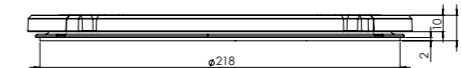
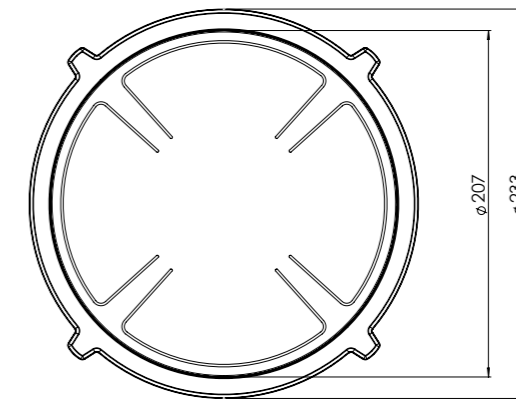
1. **Decorative ring small**  
COATED ALUMINUM

2. **Induction zone small**  
COATED ALUMINUM/ CERAMIC GLASS

3. **Control knob**  
ALUMINUM/GLASS

4. **Cassette**  
ALUMINUM

Small zone



SMALL ZONE

## Control knob

3D-visualization of Top Side knob

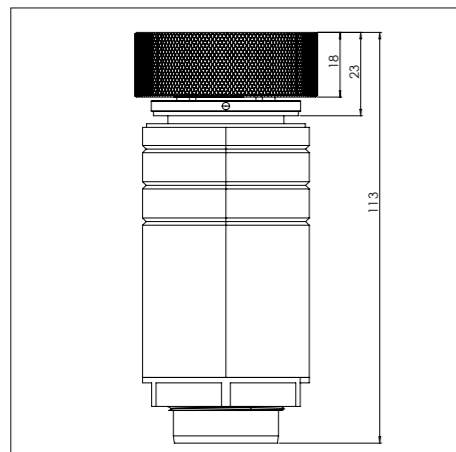


3D-visualization Front Side knob

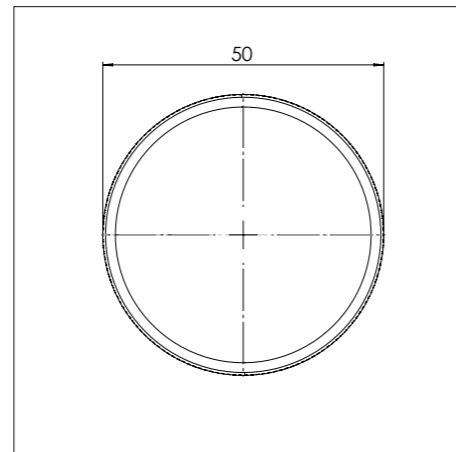


## Dimensions control knob

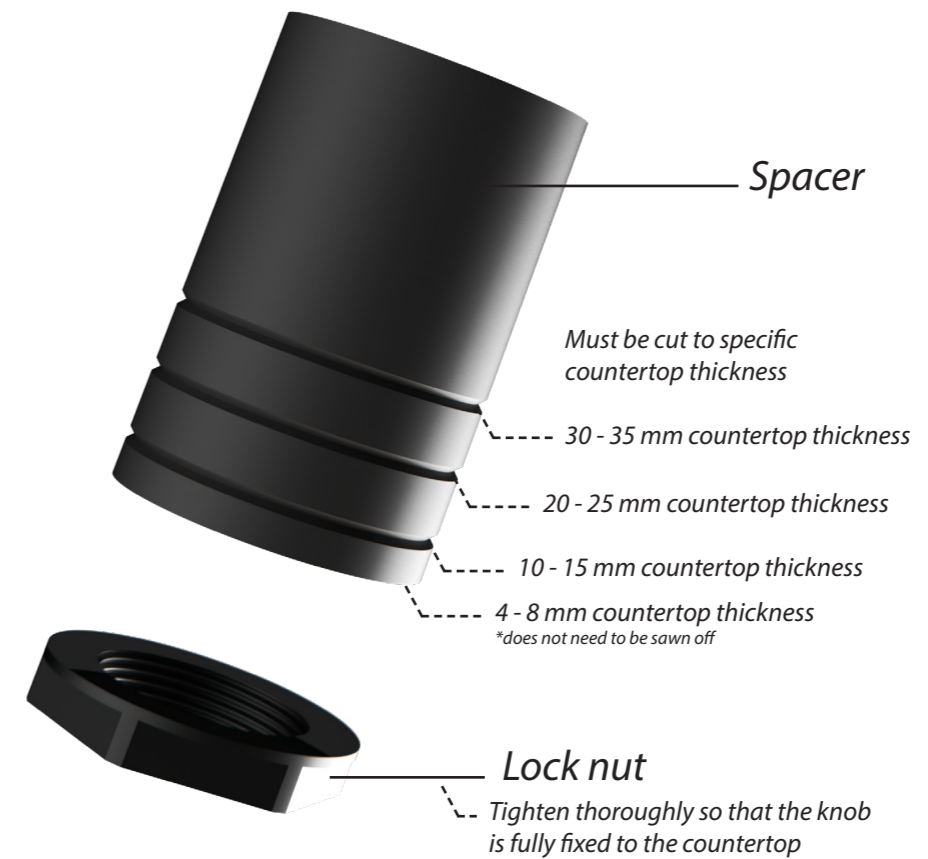
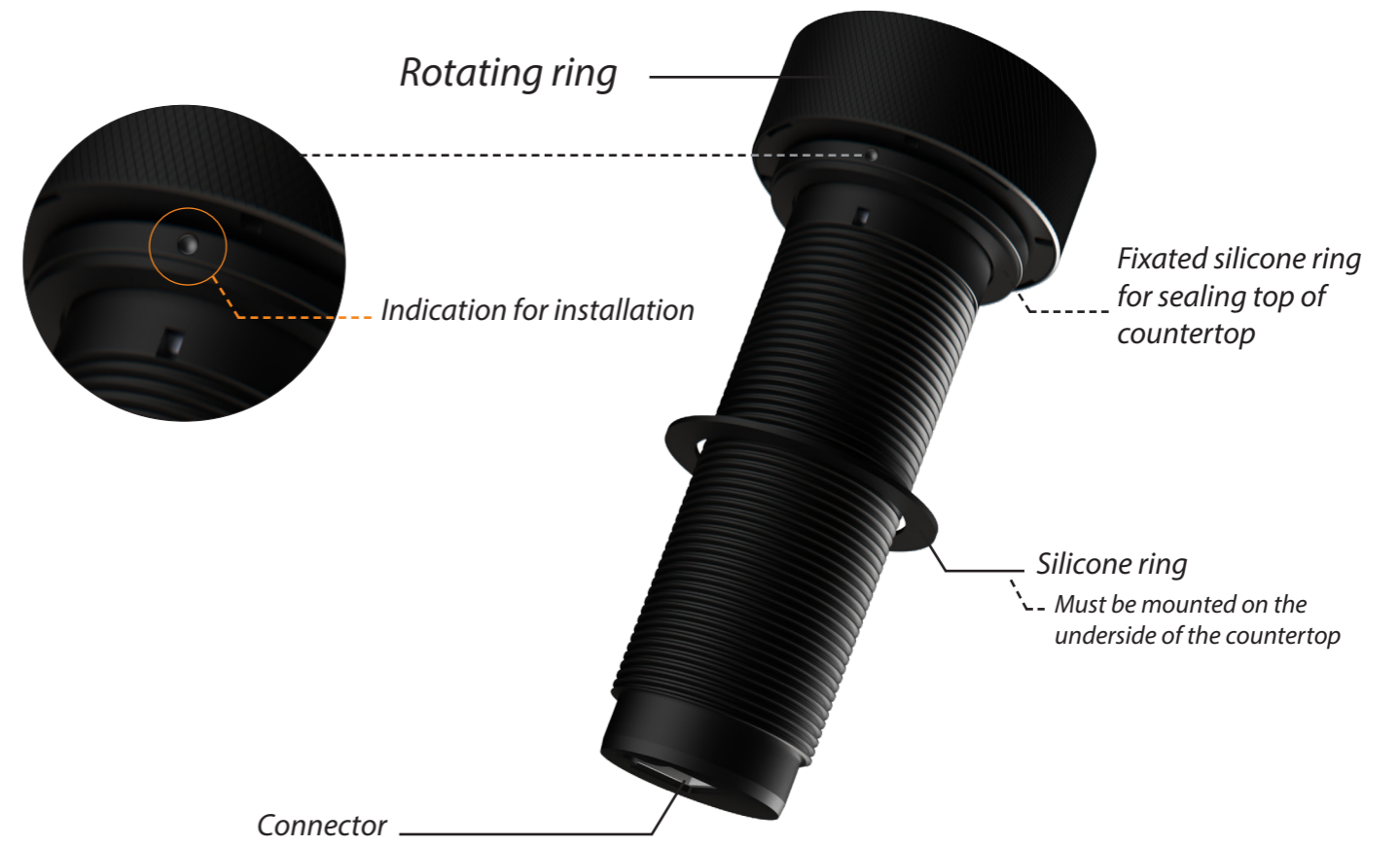
Front view

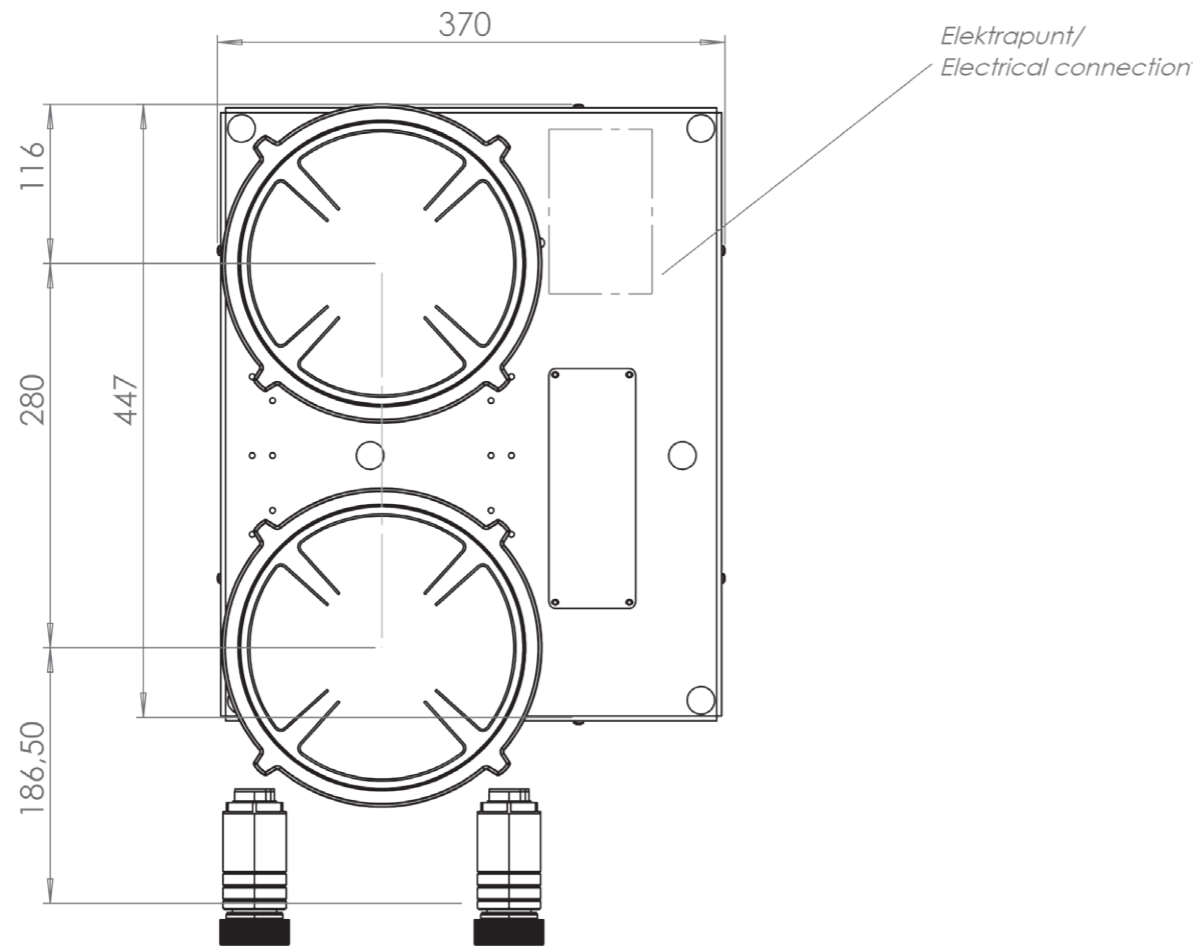


Top view

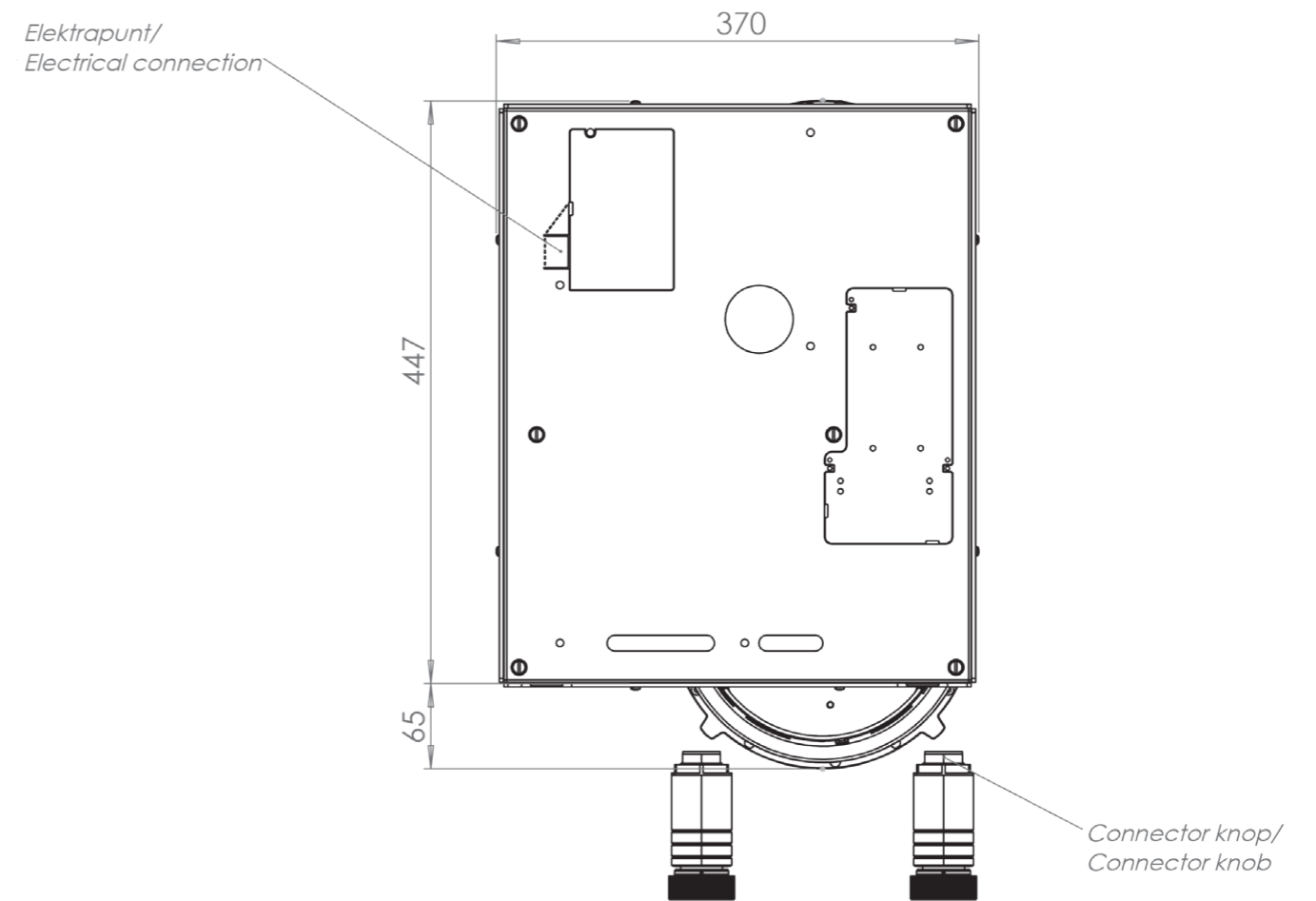


## Control knob

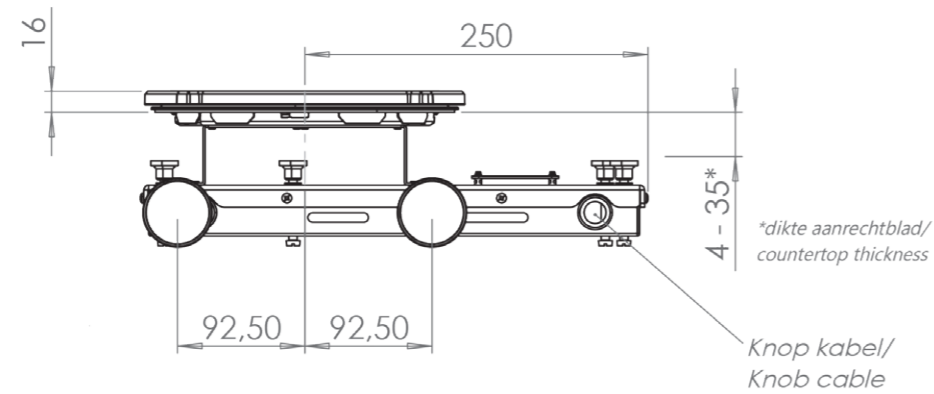




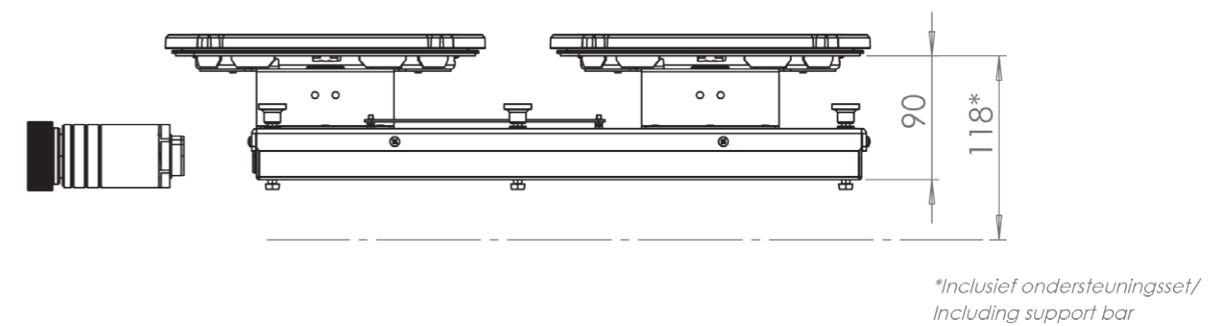
**Bovenaanzicht / Top view**



**Onderaanzicht / Bottom view**

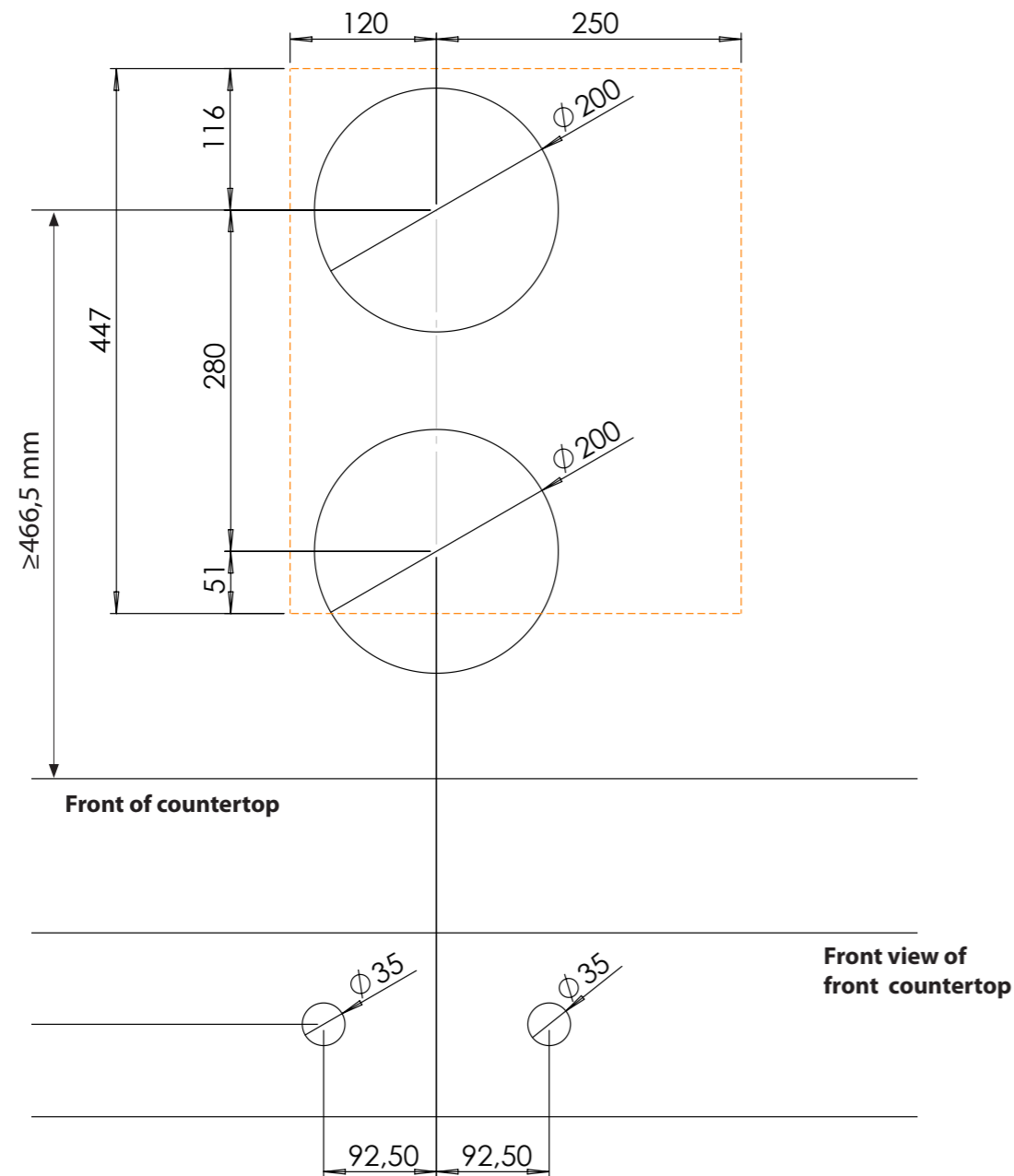


**Vooraanzicht / Front view**



**Zijaanzicht / Side view**

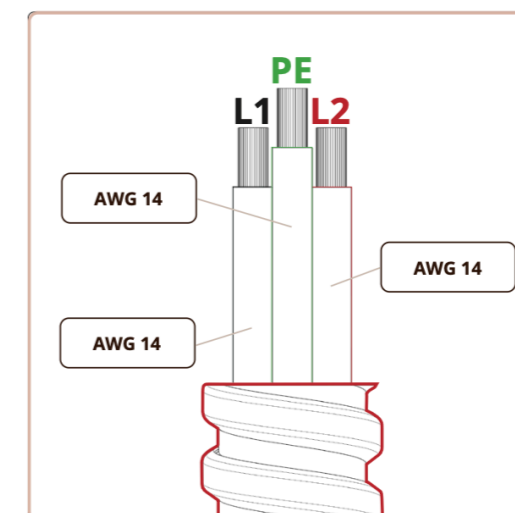
## Hole pattern



## Technical information



Model	Balut-I Front Side
Nominal voltage	208 VAC / 240 VAC
Maximum power	3,328W (@208VAC) / 3,840W (@240VAC)
Unit dimensions (LxWxH)	17.60 x 14.57 x 3.54 inches 447 x 370 x 90 mm
Total height (including support set)	4.65 inches 118 mm
Minimum cabinet width	17.72 inches 450 mm
Minimum countertop depth	25.59 inches 650 mm
Countertop thickness	0.16-1.38 inches 4-35 mm
Type of cooking system	Induction
Model edition	Black





Installation and handling instructions



Installation manual induction



User manual induction