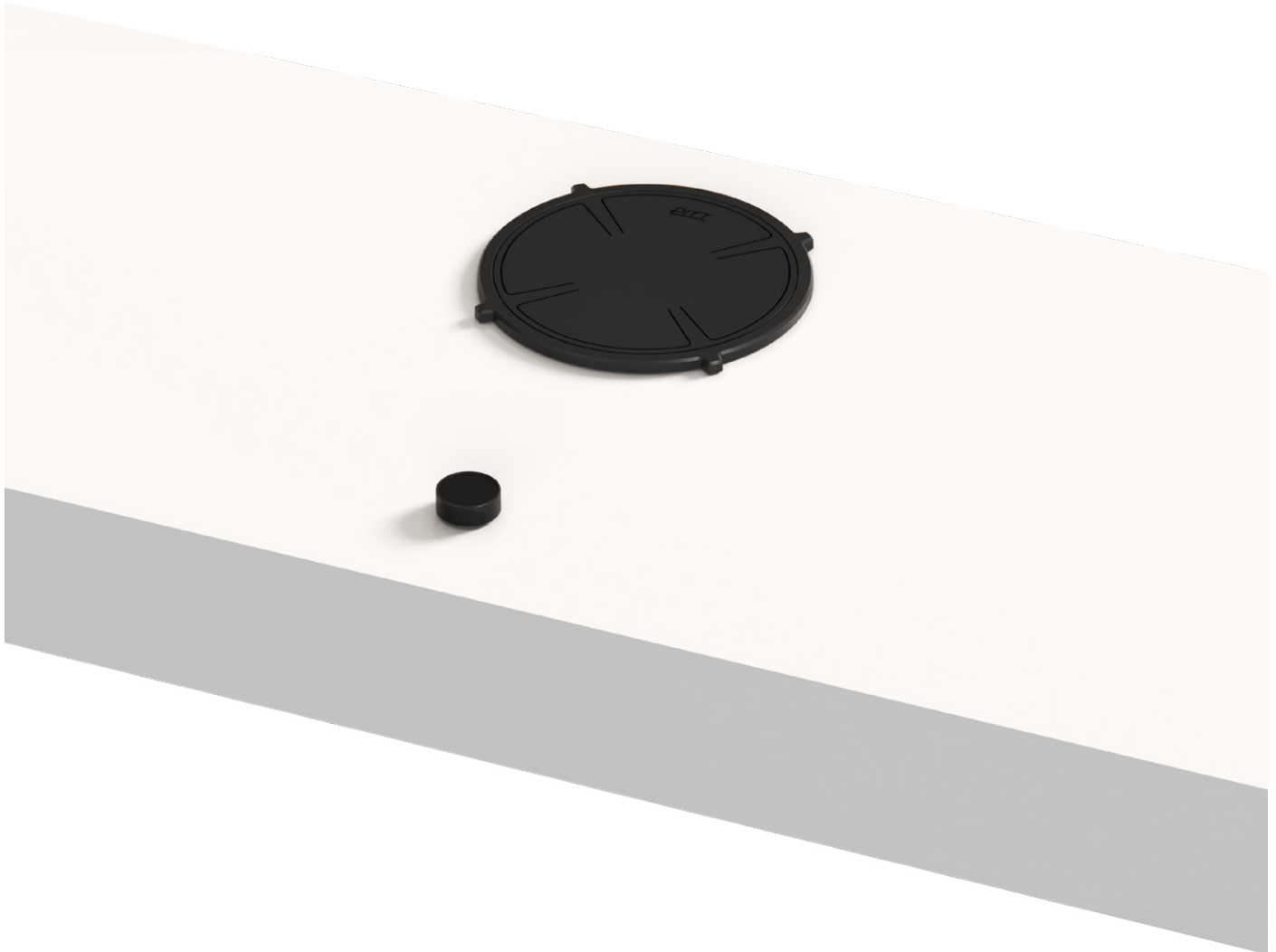


Made in Holland

PITT
COOKING



Induction

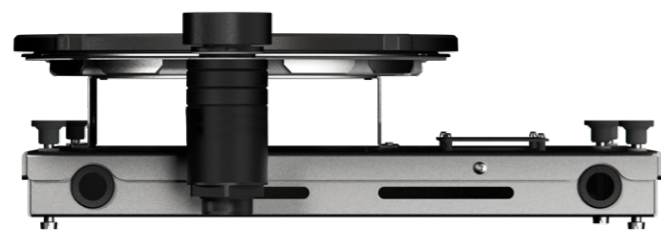
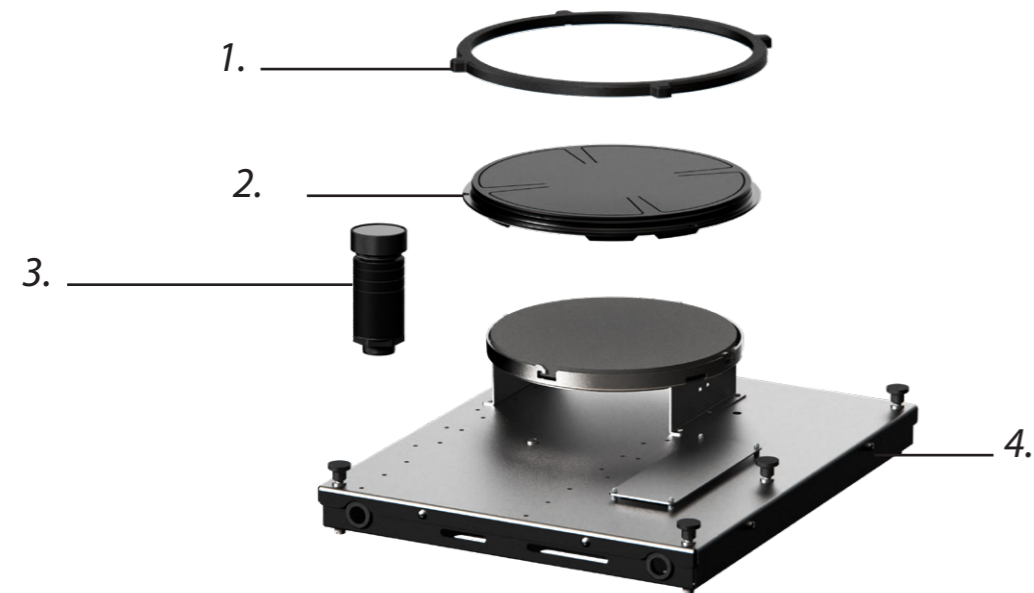
Air-I

Top Side

TS INDUCTION 2026-3.1

Exploded view

Induction zones



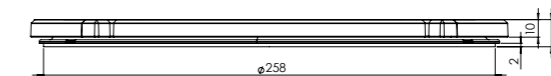
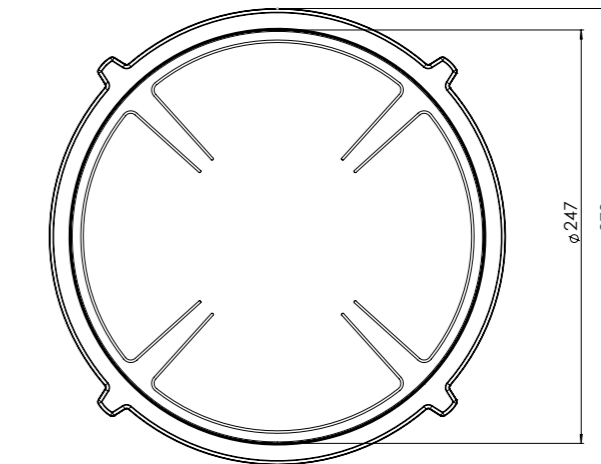
1. Decorative ring large
COATED ALUMINUM

2. Induction zone large
COATED ALUMINUM/ CERAMIC GLASS

3. Control knob
ALUMINUM/GLASS

4. Cassette
ALUMINUM

Large zone



LARGE ZONE

Control knob

3D-visualization of Top Side knob

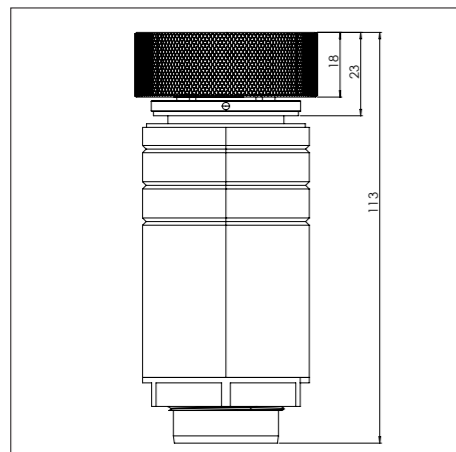


3D-visualization Front Side knob

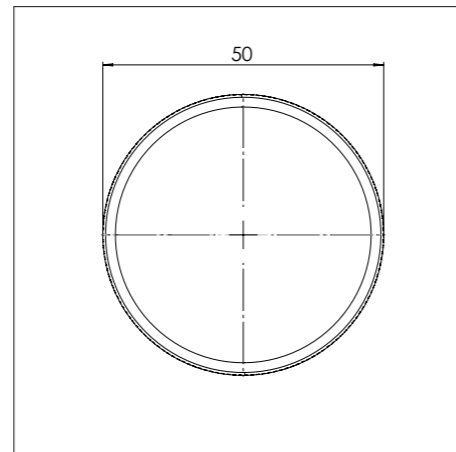


Dimensions control knob

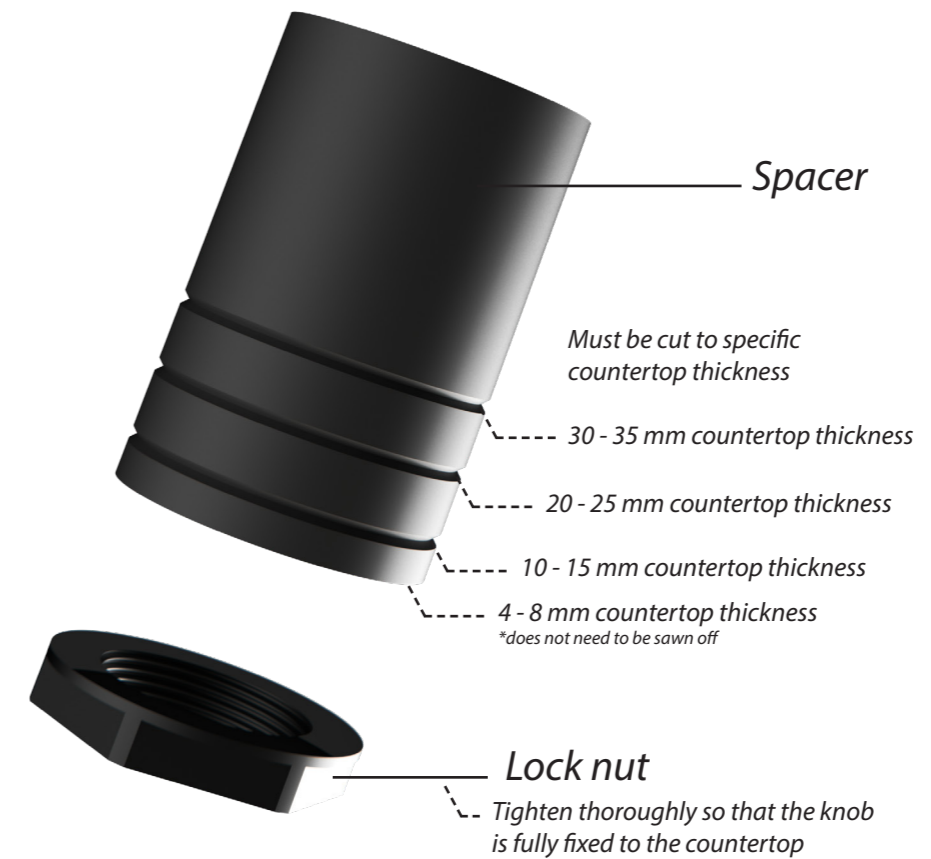
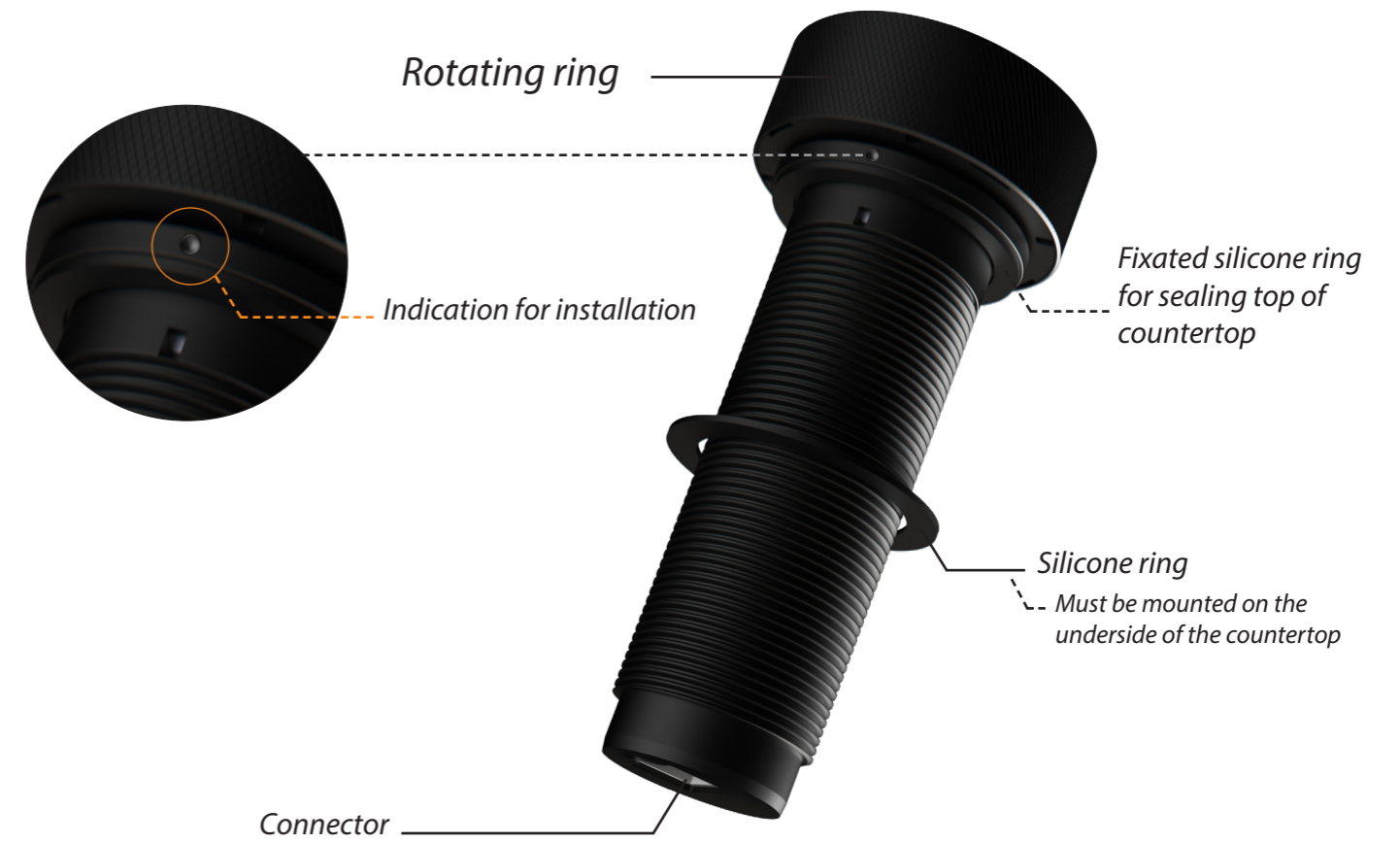
Front view

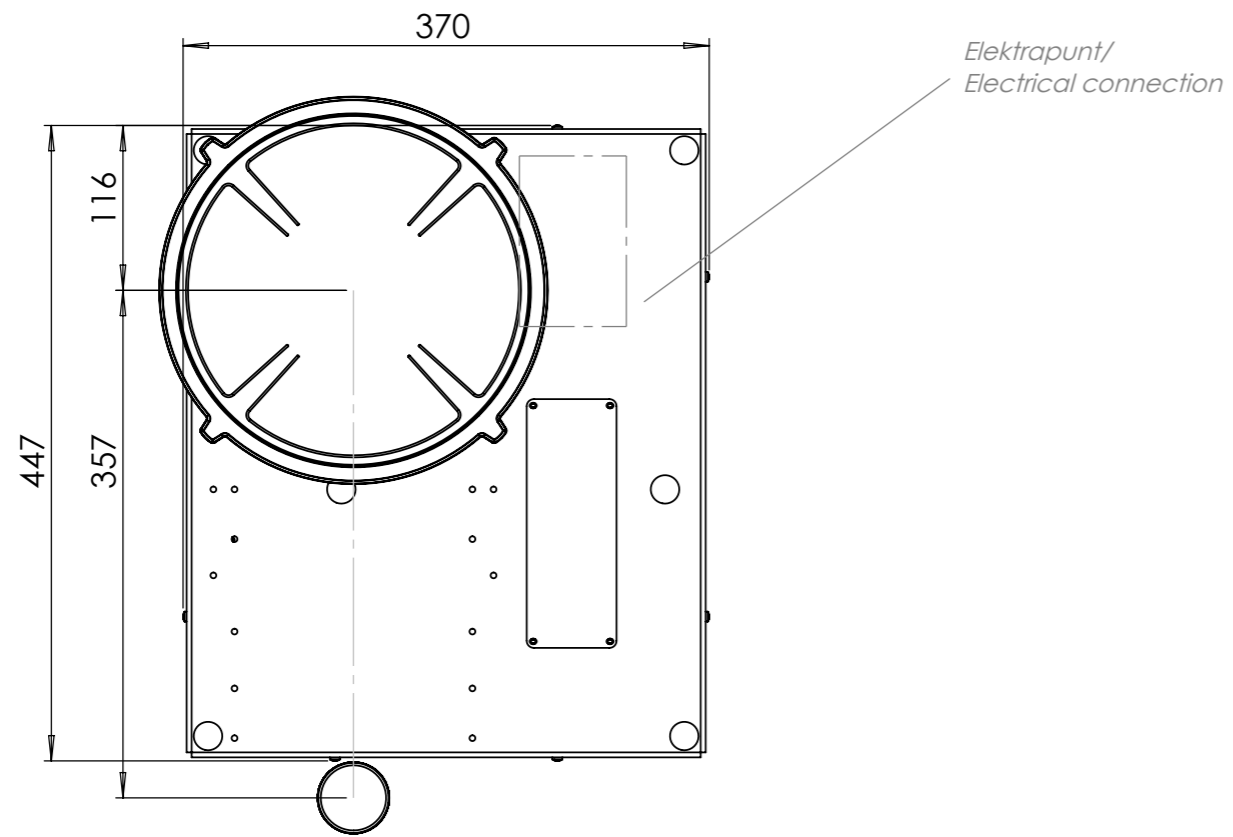


Top view

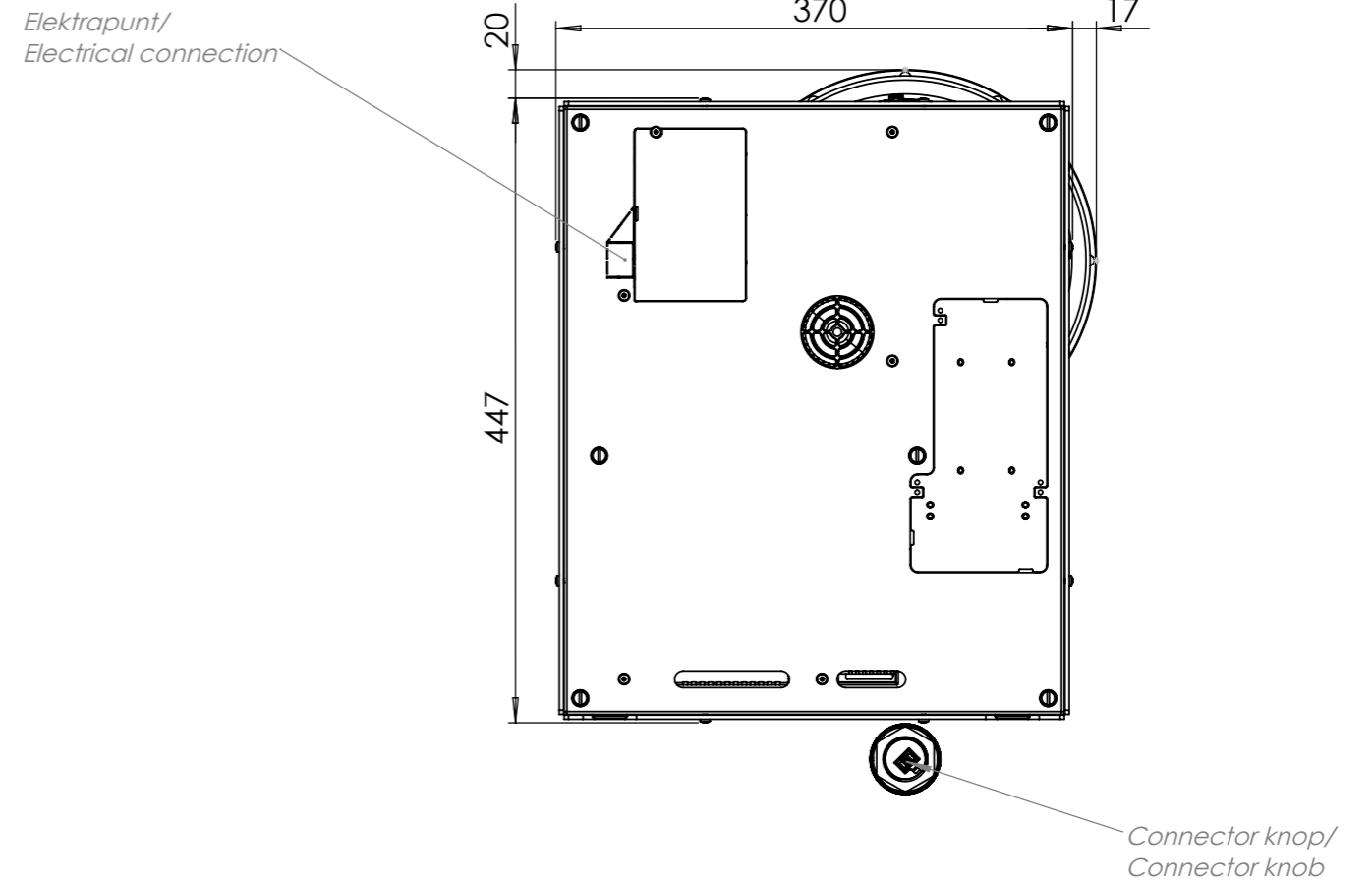


Control knob

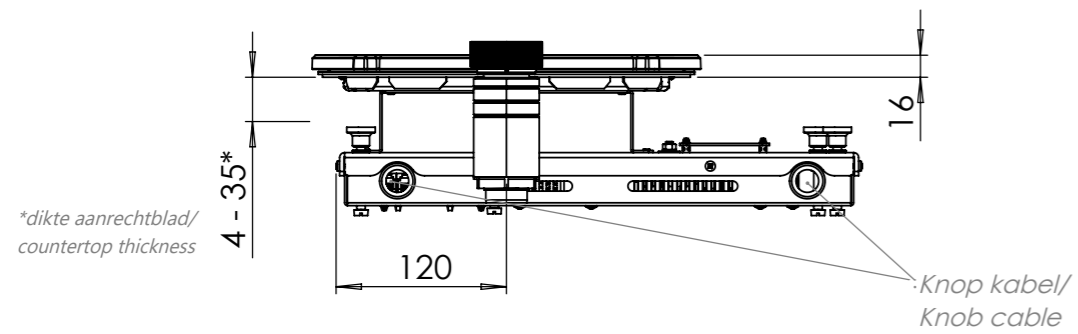




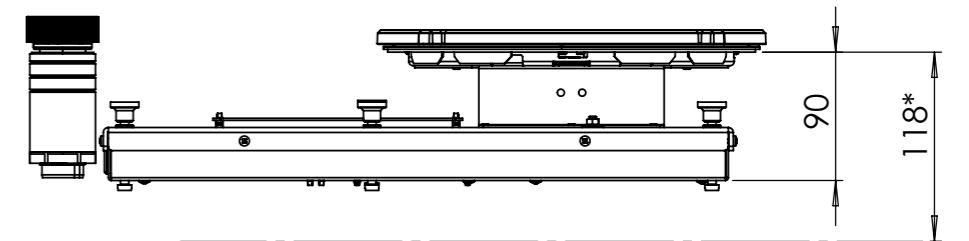
Bovenaanzicht / Top view



Onderaanzicht / Bottom view



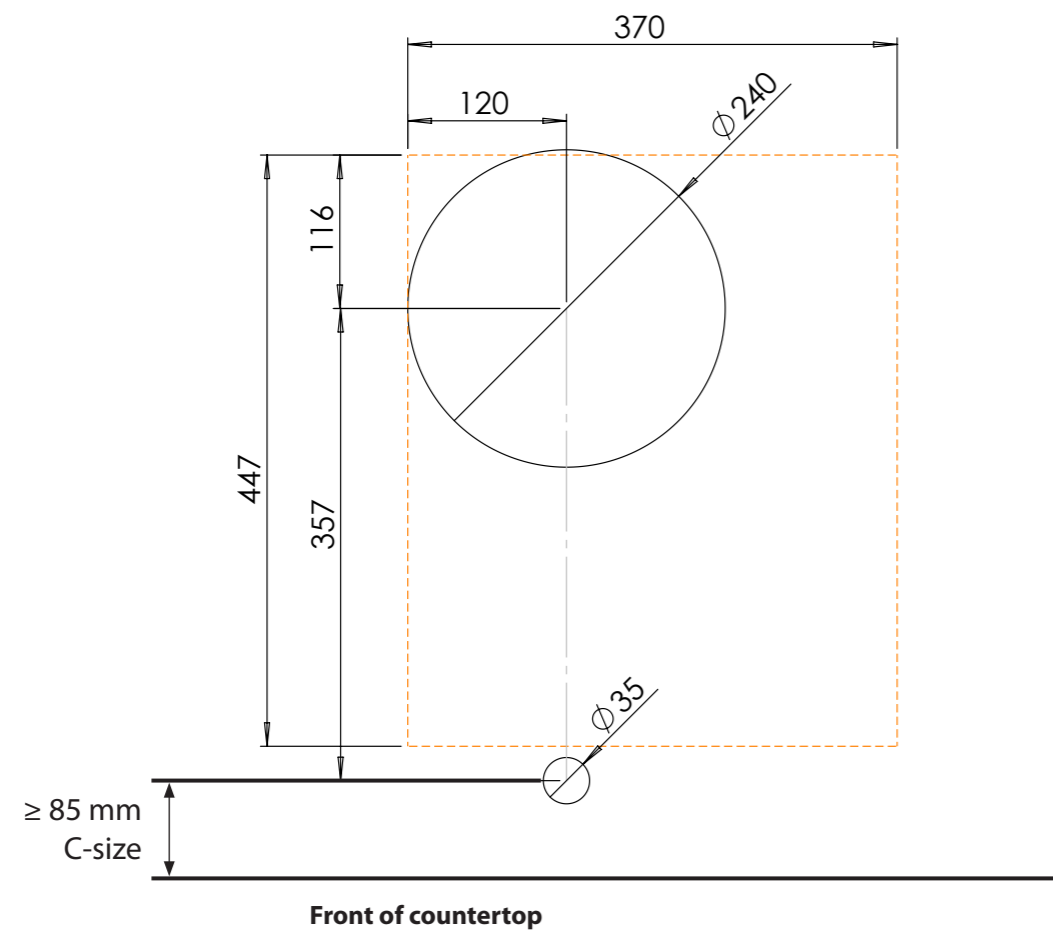
Vooraanzicht / Front view



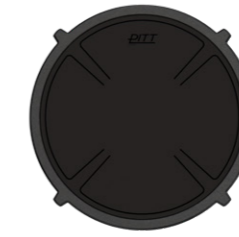
Zijaanzicht / Side view

*Inclusief ondersteuningsset/
Including support bar

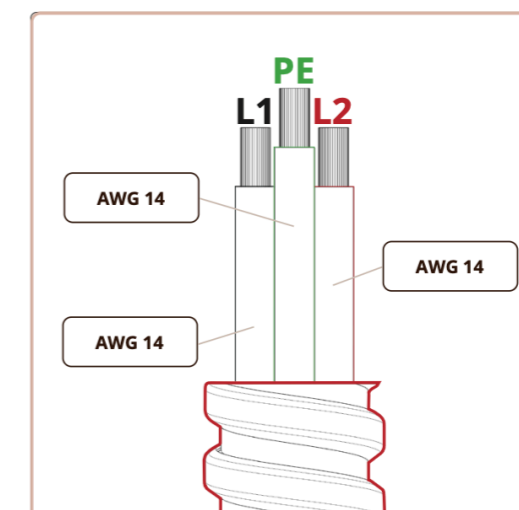
Hole pattern



Technical information



Model	Air-I Top Side
Nominal voltage	208 VAC / 240 VAC
Maximum power	2,600W (@208VAC) / 3,000W (@240VAC)
Unit dimensions (LxWxH)	17.60 × 14.57 × 3.54 inches 447 x 370 x 90 mm
Total height (including support set)	4.65 inches 118 mm
Minimum cabinet width	17.72 inches 450 mm
Minimum countertop depth	23.62 inches 600 mm
Countertop thickness	0.16-1.38 inches 4-35 mm
Type of cooking system	Induction
Model edition	Black





Installation and handling instructions



Installation manual induction



User manual induction

Made in Holland

PITT
COOKING



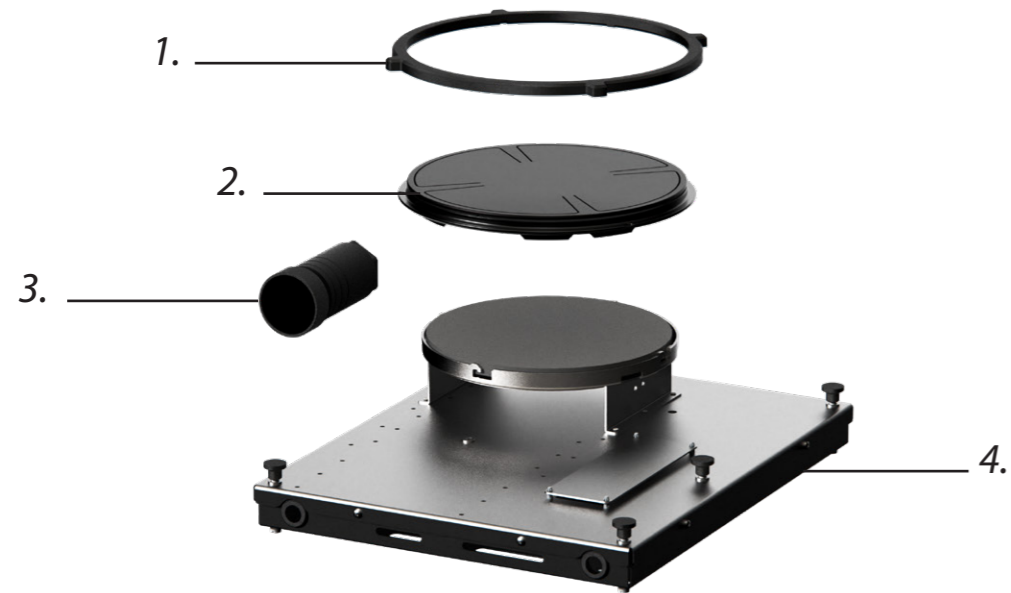
Induction

Air-I

Front Side

Exploded view

Induction zones



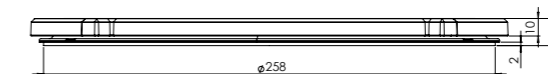
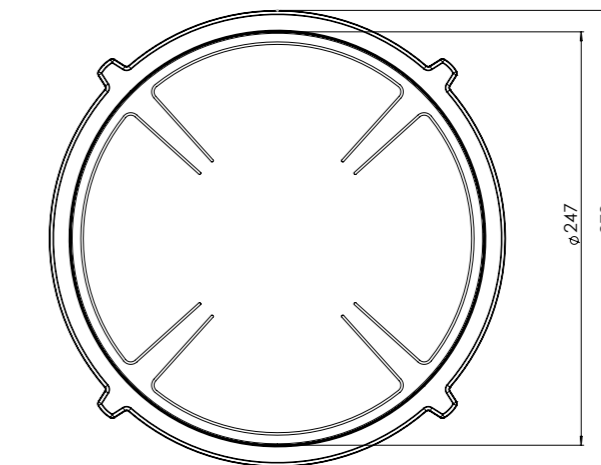
1. **Decorative ring large**
COATED ALUMINUM

2. **Induction zone large**
COATED ALUMINUM/ CERAMIC GLASS

3. **Control knob**
ALUMINUM/GLASS

4. **Cassette**
ALUMINUM

Large zone



LARGE ZONE

Control knob

3D-visualization of Top Side knob

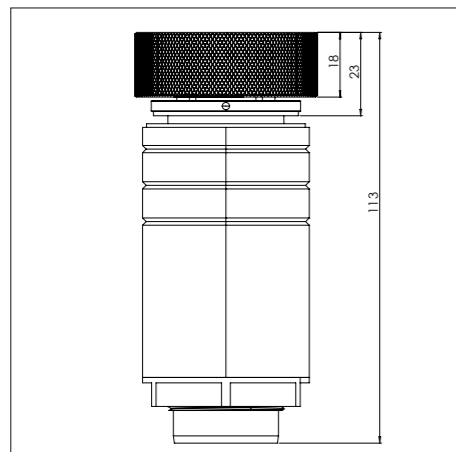


3D-visualization Front Side knob

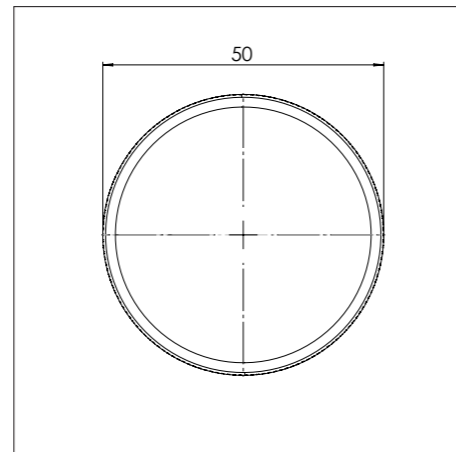


Dimensions control knob

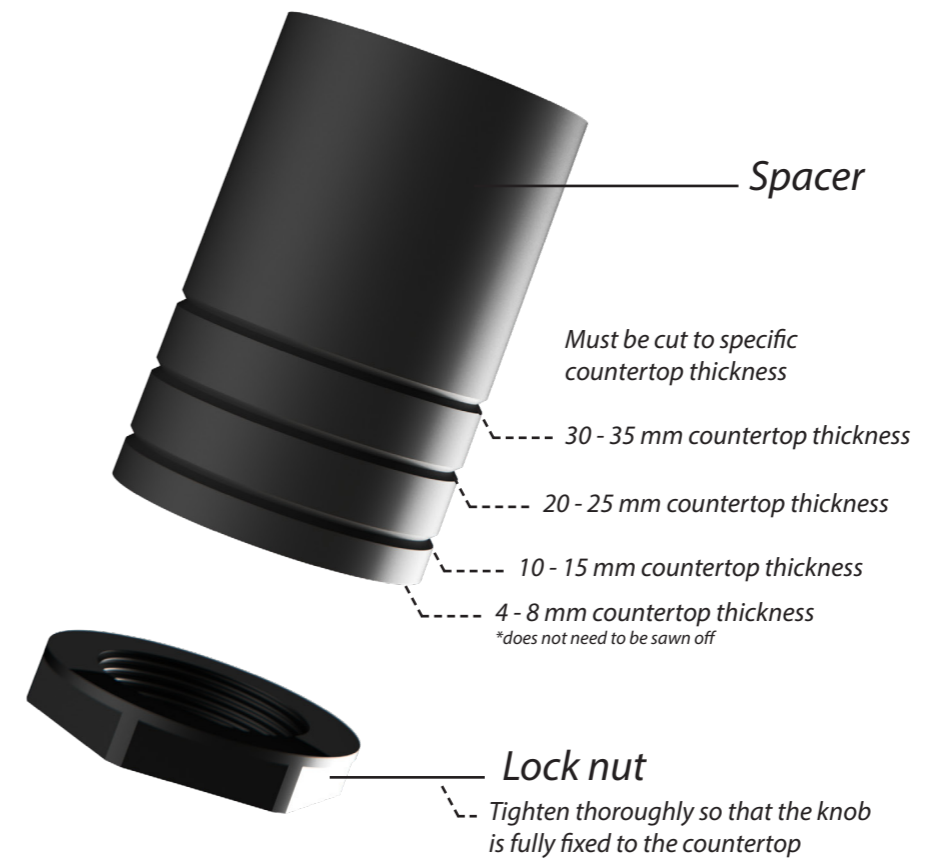
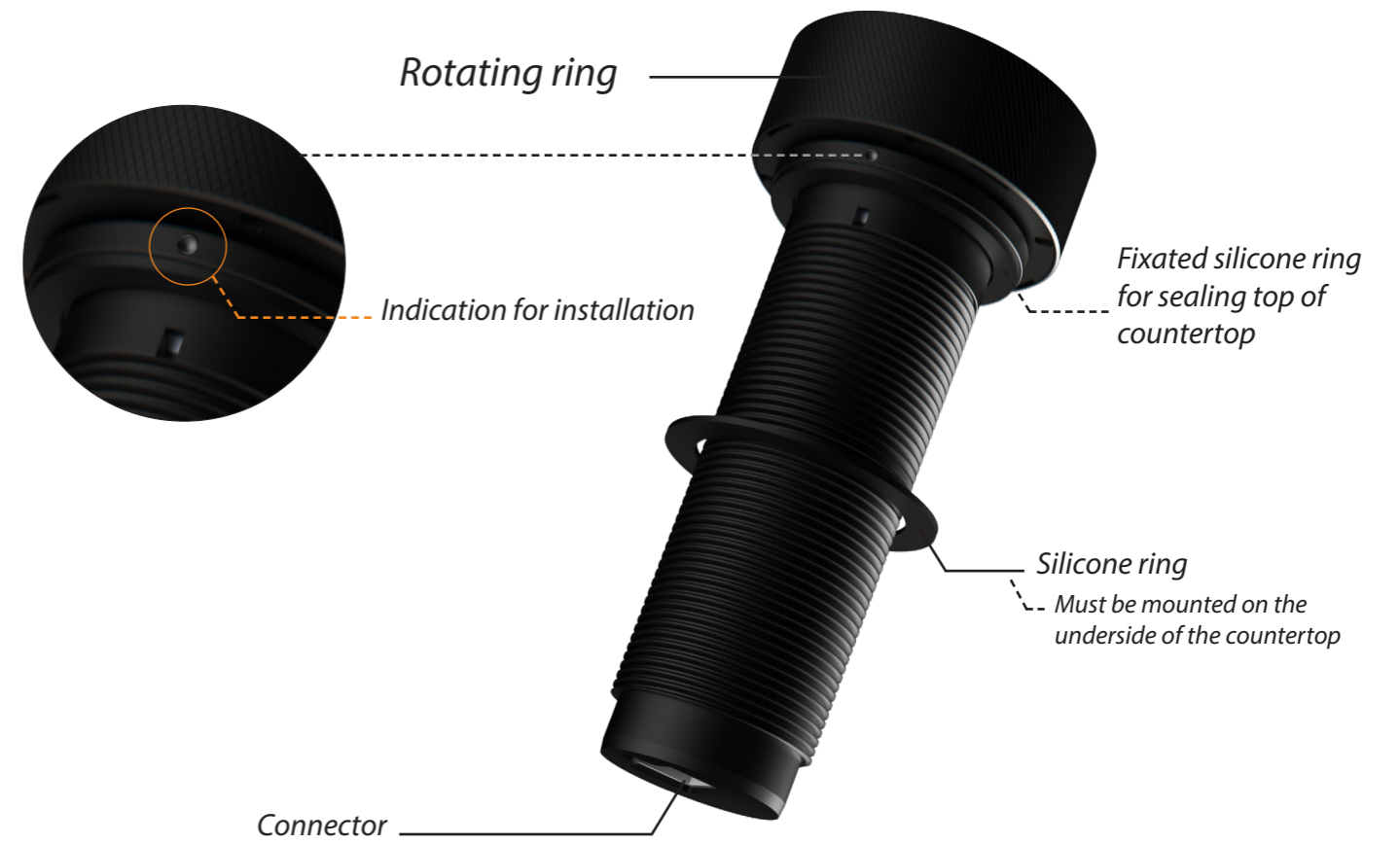
Front view



Top view

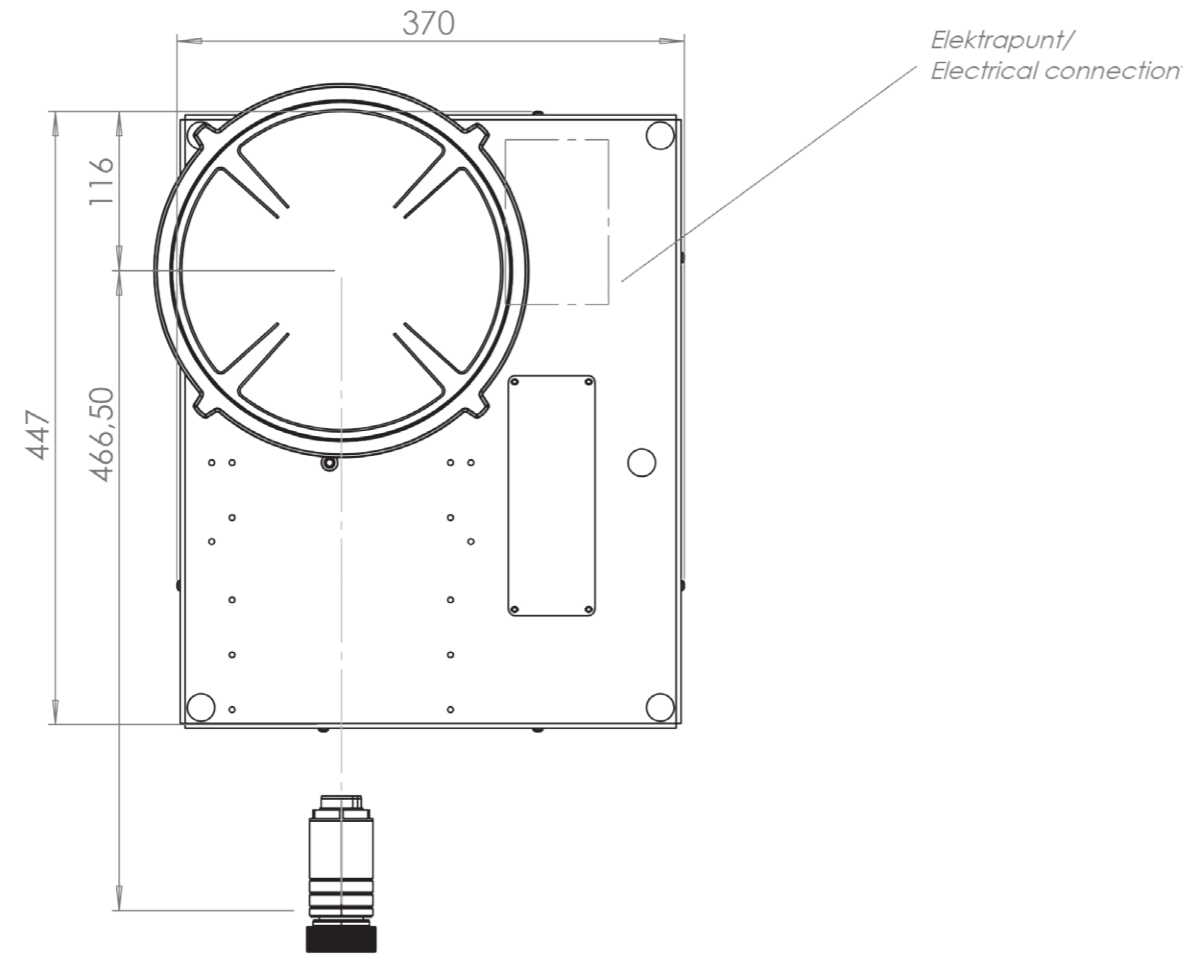


Control knob

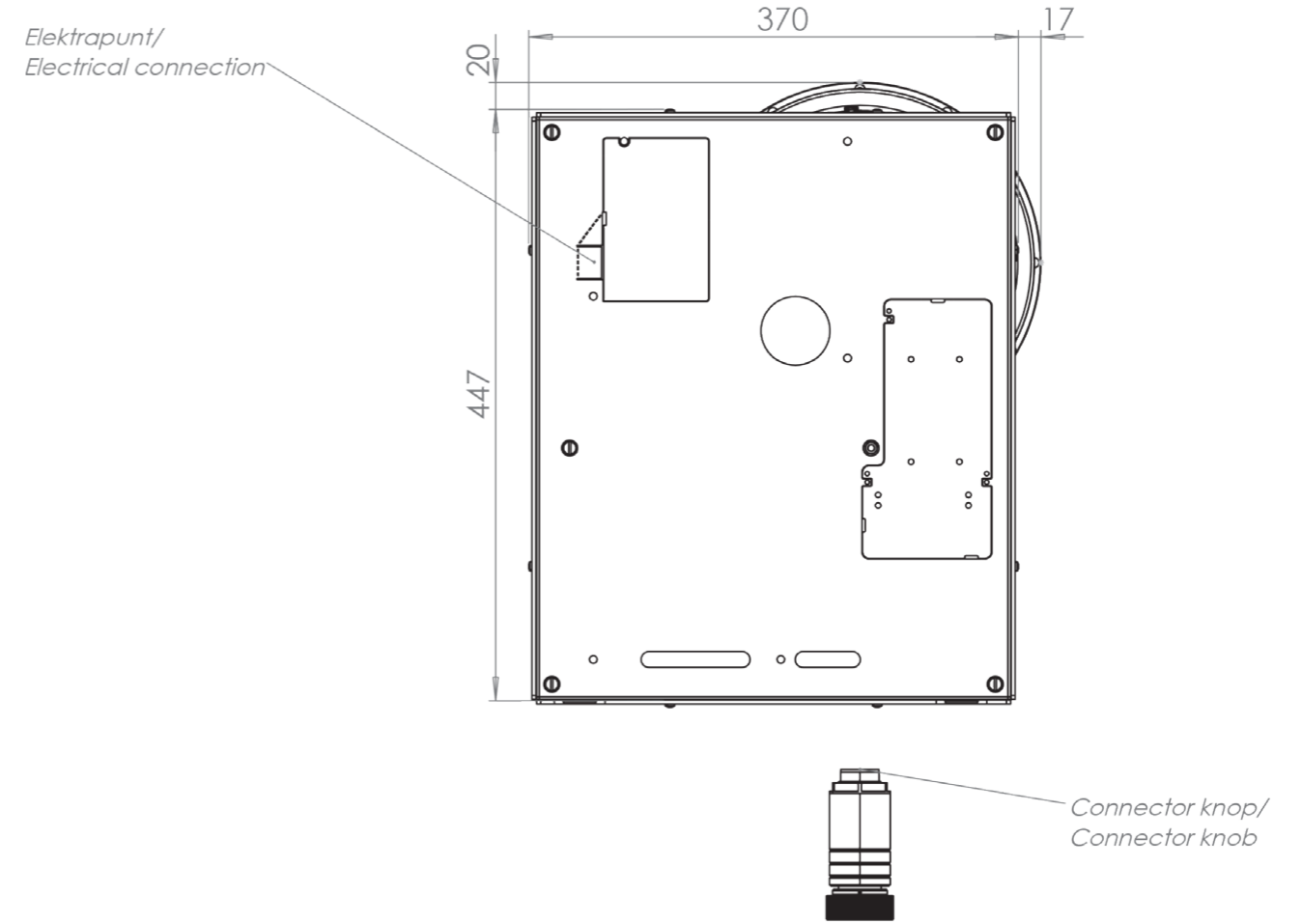


Technical drawing

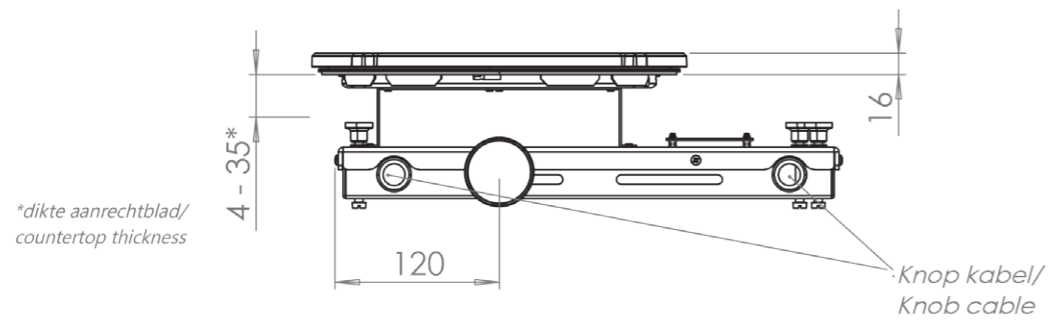
Technical drawing



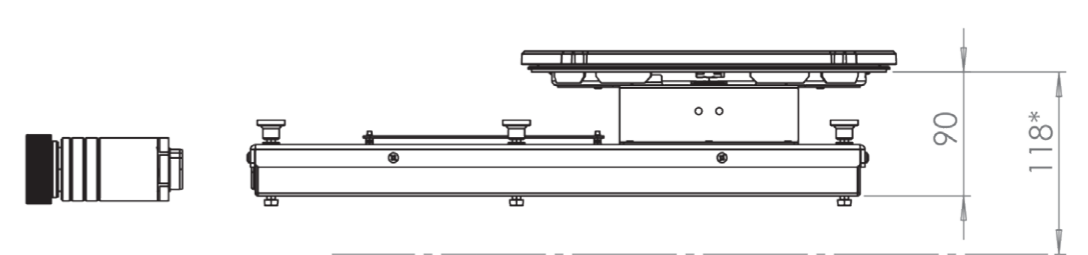
Bovenaanzicht / Top view



Onderaanzicht / Bottom view



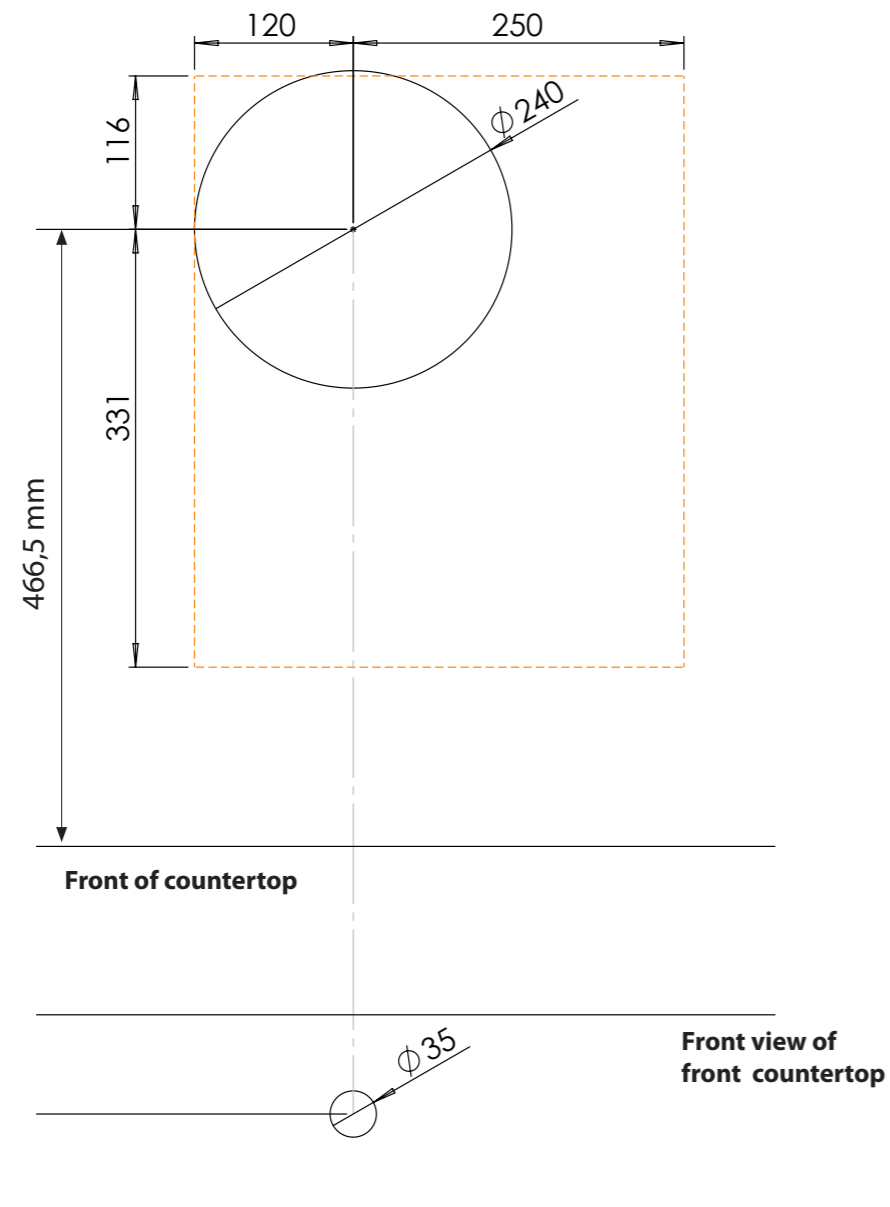
Vooraanzicht / Front view



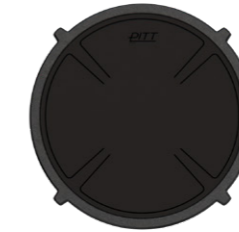
Zijaanzicht / Side view

*Inclusief ondersteuningsset/
Including support bar

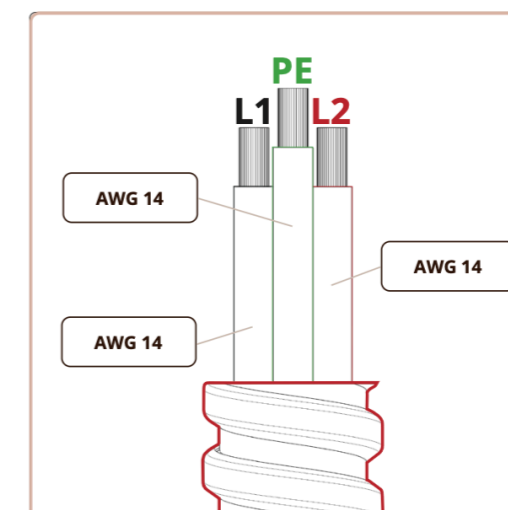
Hole pattern



Technical information



Model	Air-I Front Side
Nominal voltage	208 VAC / 240 VAC
Maximum power	2,600W (@208VAC) / 3,000W (@240VAC)
Unit dimensions (LxWxH)	17.60 × 14.57 × 3.54 inches 447 x 370 x 90 mm
Total height (including support set)	4.65 inches 118 mm
Minimum cabinet width	17.72 inches 450 mm
Minimum countertop depth	25.59 inches 650 mm
Countertop thickness	0.16-1.38 inches 4-35 mm
Type of cooking system	Induction
Model edition	Black





Installation and handling instructions



Installation manual induction



User manual induction